

DATA SHEET

BFT92 PNP 5 GHz wideband transistor

Product specification
File under Discrete Semiconductors, SC14

November 1992

PNP 5 GHz wideband transistor

BFT92

DESCRIPTION

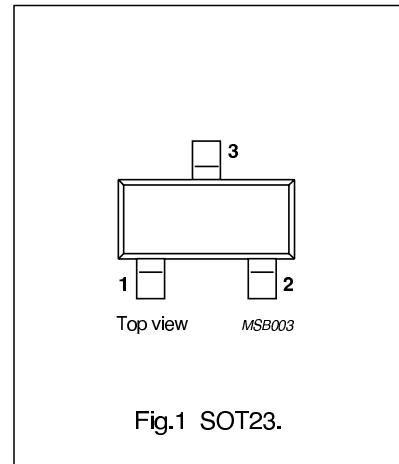
PNP transistor in a plastic SOT23 envelope.

It is primarily intended for use in RF wideband amplifiers, such as in aerial amplifiers, radar systems, oscilloscopes, spectrum analyzers, etc. The transistor features low intermodulation distortion and high power gain; due to its very high transition frequency, it also has excellent wideband properties and low noise up to high frequencies.

NPN complements are BFR92 and BFR92A.

PINNING

PIN	DESCRIPTION
Code: W1p	
1	base
2	emitter
3	collector



QUICK REFERENCE DATA

SYMBOL	PARAMETER	CONDITIONS	TYP.	MAX.	UNIT
V_{CBO}	collector-base voltage	open emitter	-	-20	V
V_{CEO}	collector-emitter voltage	open base	-	-15	V
I_C	DC collector current		-	-25	mA
P_{tot}	total power dissipation	up to $T_s = 95\text{ }^\circ\text{C}$; note 1	-	300	mW
f_T	transition frequency	$I_C = -14\text{ mA}$; $V_{CE} = -10\text{ V}$; $f = 500\text{ MHz}$	5	-	GHz
C_{re}	feedback capacitance	$I_C = -2\text{ mA}$; $V_{CE} = -10\text{ V}$; $f = 1\text{ MHz}$	0.7	-	pF
G_{UM}	maximum unilateral power gain	$I_C = -14\text{ mA}$; $V_{CE} = -10\text{ V}$; $f = 500\text{ MHz}$; $T_{amb} = 25\text{ }^\circ\text{C}$	18	-	dB
F	noise figure	$I_C = -5\text{ mA}$; $V_{CE} = -10\text{ V}$; $f = 500\text{ MHz}$; $T_{amb} = 25\text{ }^\circ\text{C}$	2.5	-	dB
d_{im}	intermodulation distortion	$I_C = -14\text{ mA}$; $V_{CE} = -10\text{ V}$; $R_L = 75\text{ }\Omega$; $V_o = 150\text{ mV}$; $T_{amb} = 25\text{ }^\circ\text{C}$; $f_{(p+q-r)} = 493.25\text{ MHz}$	-60	-	dB

Note

1. T_s is the temperature at the soldering point of the collector tab.

PNP 5 GHz wideband transistor

BFT92

LIMITING VALUES

In accordance with the Absolute Maximum System (IEC 134).

SYMBOL	PARAMETER	CONDITIONS	MIN.	MAX.	UNIT
V_{CBO}	collector-base voltage	open emitter	–	–20	V
V_{CEO}	collector-emitter voltage	open base	–	–15	V
V_{EBO}	emitter-base voltage	open collector	–	–2	V
I_C	DC collector current		–	–25	mA
I_{CM}	peak collector current	$f > 1$ MHz	–	–35	mA
P_{tot}	total power dissipation	up to $T_s = 95$ °C; note 1	–	300	mW
T_{stg}	storage temperature		–65	150	°C
T_j	junction temperature		–	175	°C

THERMAL RESISTANCE

SYMBOL	PARAMETER	CONDITIONS	THERMAL RESISTANCE
$R_{th\ j-s}$	thermal resistance from junction to soldering point	up to $T_s = 95$ °C; note 1	260 K/W

Note

- T_s is the temperature at the soldering point of the collector tab.

PNP 5 GHz wideband transistor

BFT92

CHARACTERISTICST_j = 25 °C unless otherwise specified.

SYMBOL	PARAMETER	CONDITIONS	MIN.	TYP.	MAX.	UNIT
I _{CBO}	collector cut-off current	I _E = 0; V _{CB} = -10 V;	-	-	-50	nA
h _{FE}	DC current gain	I _C = -14 mA; V _{CE} = -10 V	20	50	-	
f _T	transition frequency	I _C = -14 mA; V _{CE} = -10 V; f = 500 MHz	-	5	-	GHz
C _c	collector capacitance	I _E = I _e = 0; V _{CB} = -10 V; f = 1 MHz	-	0.75	-	pF
C _e	emitter capacitance	I _C = I _c = 0; V _{EB} = -0.5 V; f = 1 MHz	-	0.8	-	pF
C _{re}	feedback capacitance	I _C = -2 mA; V _{CE} = -10 V; f = 1 MHz	-	0.7	-	pF
G _{UM}	maximum unilateral power gain (note 1)	I _C = -14 mA; V _{CE} = -10 V; f = 500 MHz; T _{amb} = 25 °C	-	18	-	dB
F	noise figure	I _C = -5 mA; V _{CE} = -10 V; f = 500 MHz; T _{amb} = 25 °C	-	2.5	-	dB
V _o	output voltage	note 2	-	150	-	mV

Notes

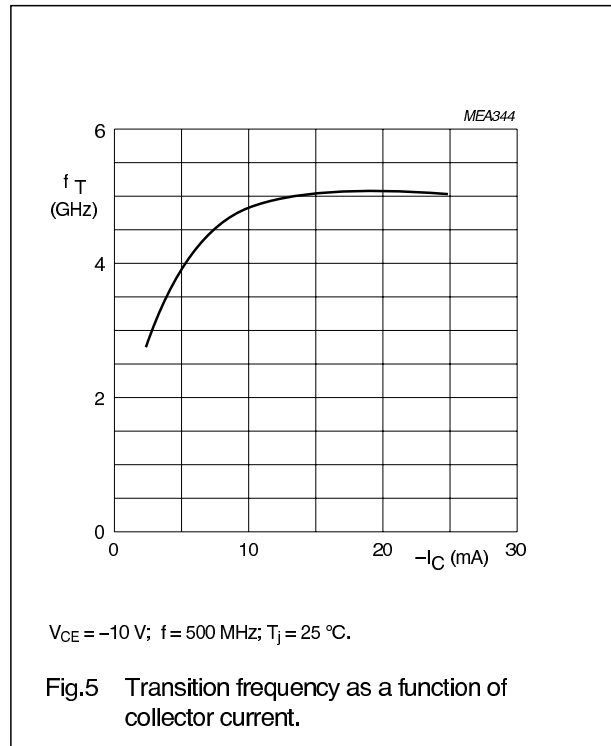
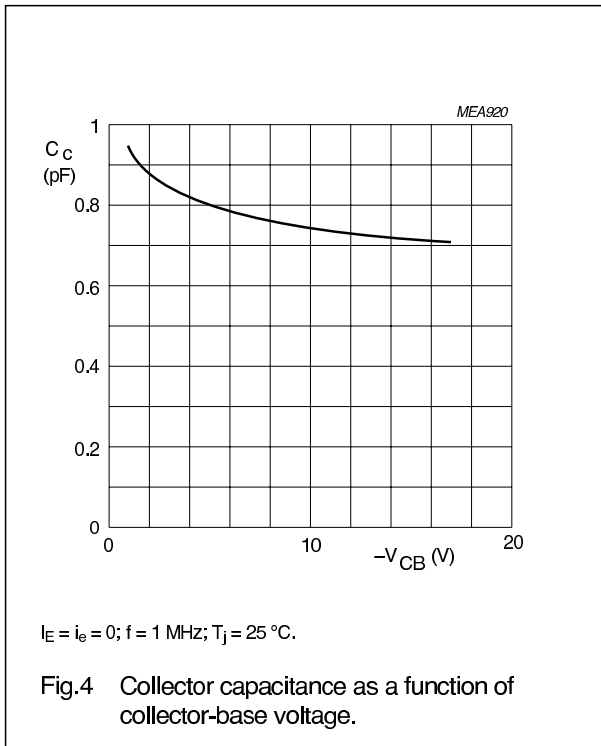
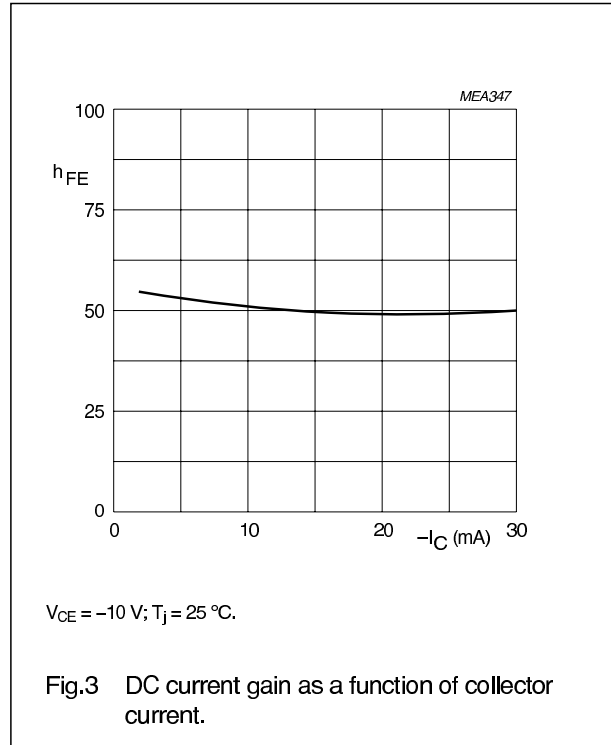
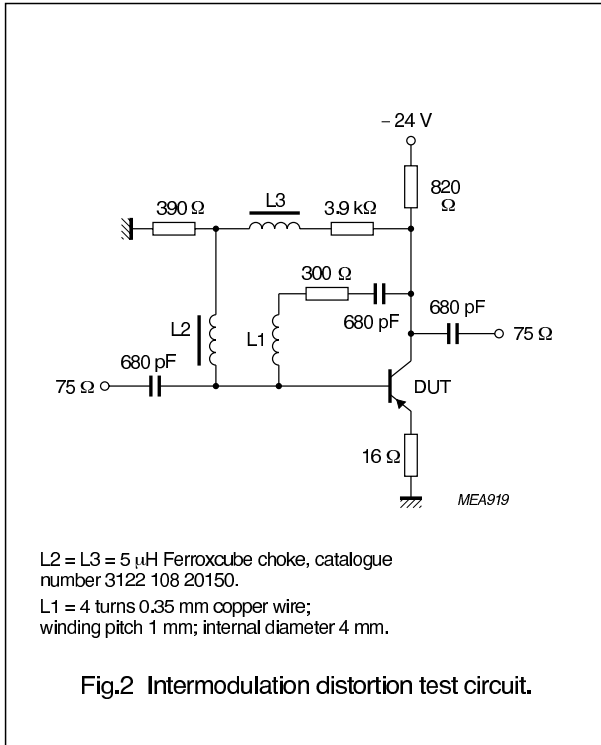
- G_{UM} is the maximum unilateral power gain, assuming S₁₂ is zero and

$$G_{UM} = 10 \log \frac{|S_{21}|^2}{(1 - |S_{11}|^2)(1 - |S_{22}|^2)} \text{ dB.}$$

- d_{im} = -60 dB (DIN 45004B); I_C = -14 mA; V_{CE} = -10 V; R_L = 75 Ω;
V_p = V_o at d_{im} = -60 dB; f_p = 495.25 MHz;
V_q = V_o -6 dB; f_q = 503.25 MHz;
V_r = V_o -6 dB; f_r = 505.25 MHz;
measured at f_(p+q+r) = 493.25 MHz.

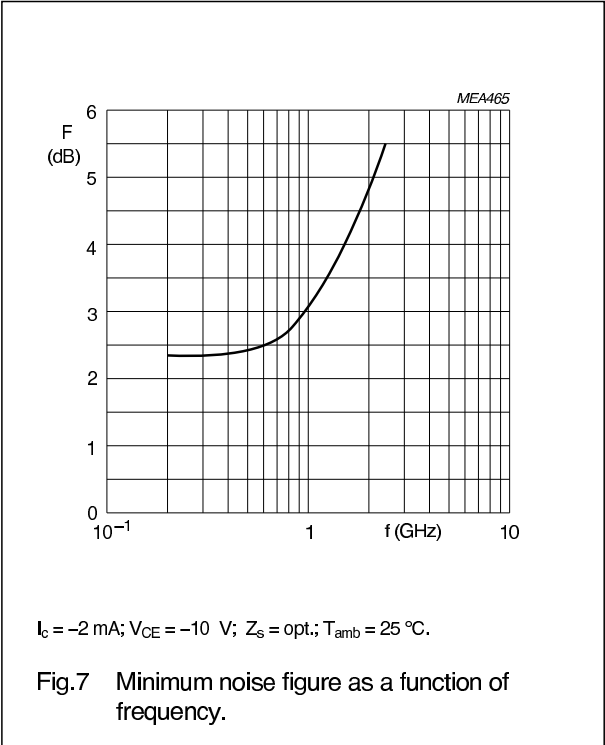
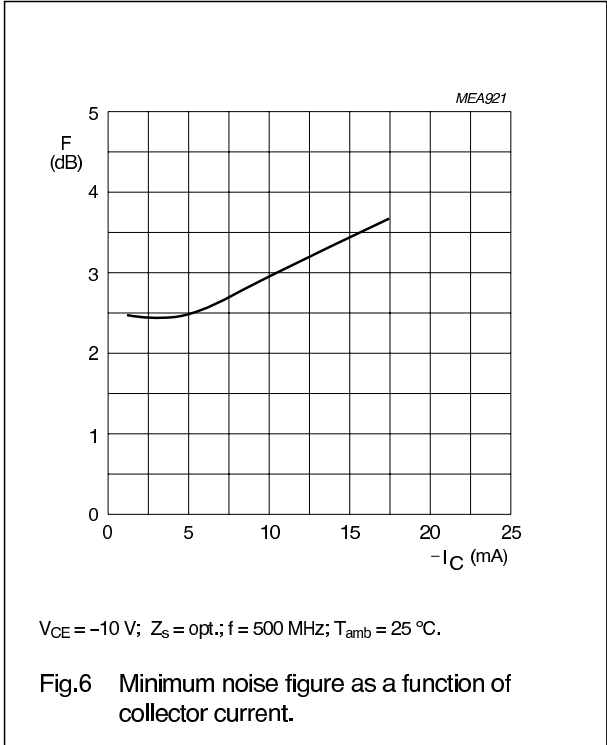
PNP 5 GHz wideband transistor

BFT92



PNP 5 GHz wideband transistor

BFT92



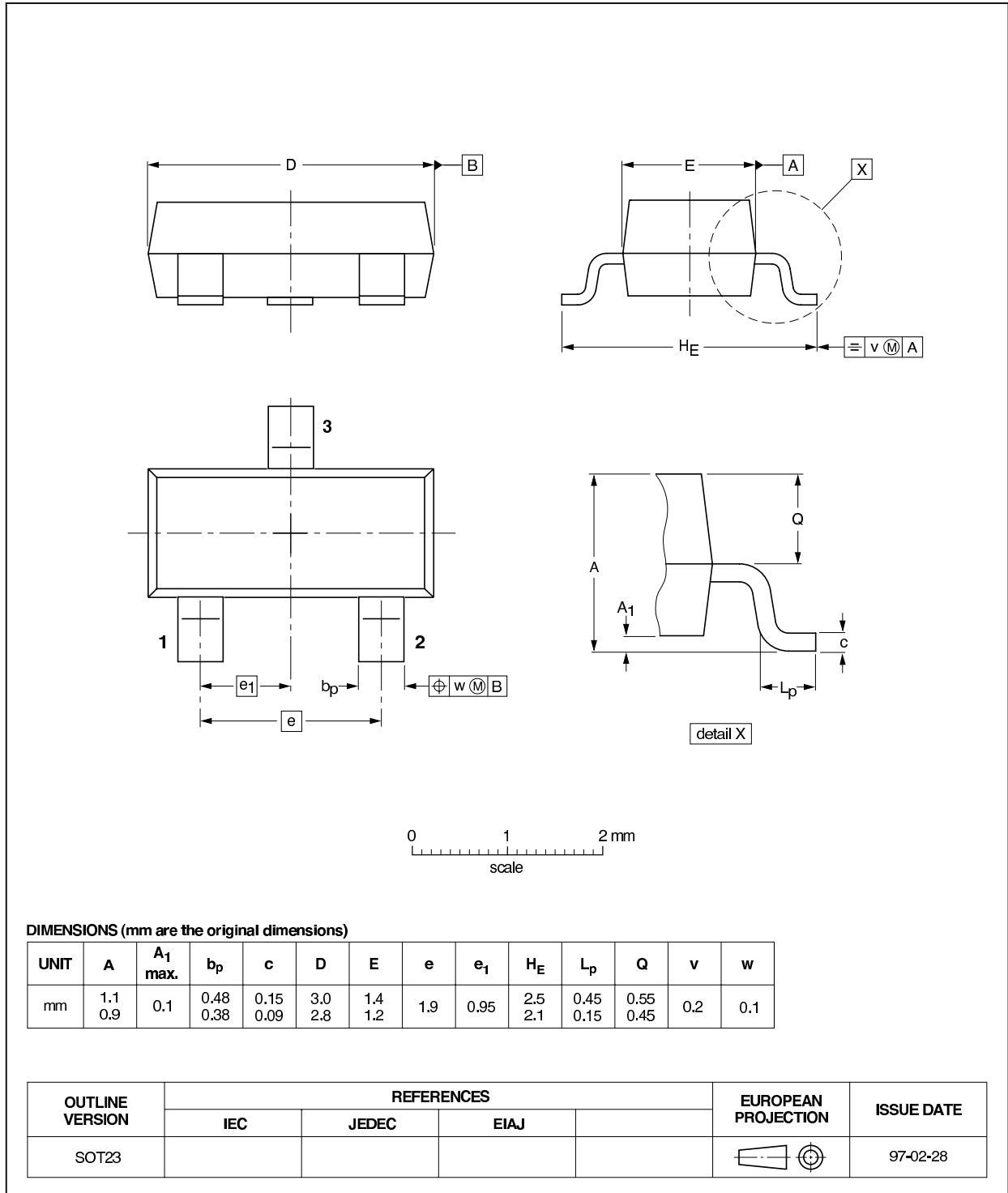
PNP 5 GHz wideband transistor

BFT92

PACKAGE OUTLINE

Plastic surface mounted package; 3 leads

SOT23



PNP 5 GHz wideband transistor**BFT92**

DEFINITIONS

Data Sheet Status	
Objective specification	This data sheet contains target or goal specifications for product development.
Preliminary specification	This data sheet contains preliminary data; supplementary data may be published later.
Product specification	This data sheet contains final product specifications.
Limiting values	
Limiting values given are in accordance with the Absolute Maximum Rating System (IEC 134). Stress above one or more of the limiting values may cause permanent damage to the device. These are stress ratings only and operation of the device at these or at any other conditions above those given in the Characteristics sections of the specification is not implied. Exposure to limiting values for extended periods may affect device reliability.	
Application information	
Where application information is given, it is advisory and does not form part of the specification.	

LIFE SUPPORT APPLICATIONS

These products are not designed for use in life support appliances, devices, or systems where malfunction of these products can reasonably be expected to result in personal injury. Philips customers using or selling these products for use in such applications do so at their own risk and agree to fully indemnify Philips for any damages resulting from such improper use or sale.