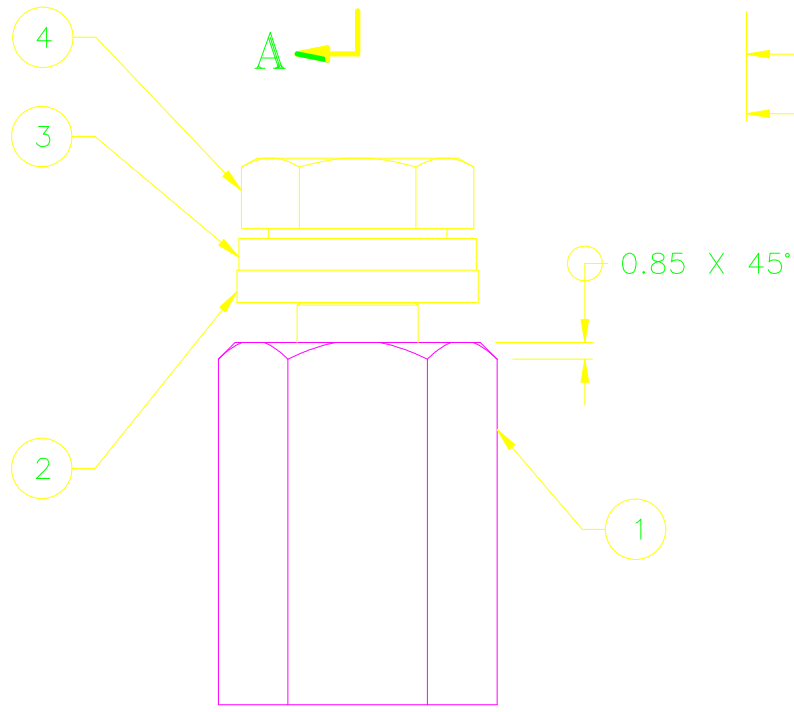
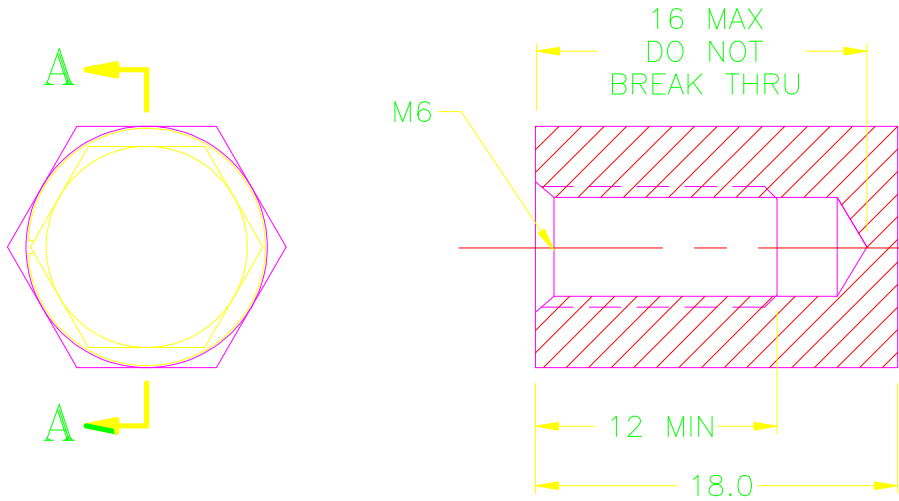


PROPRIETARY

THIS DRAWING CONTAINS CONFIDENTIAL INFORMATION PROPRIETARY TO ISYS. IT MUST NOT BE REPRODUCED OR DISCLOSED TO OTHERS OR USED IN ANY OTHER WAY, IN WHOLE OR IN PART EXCEPT AS AUTHORIZED IN WRITING BY ISYS.

REVISIONS

REV	DESCRIPTION	DRAFT	DATE	APPROVED
A	INITIAL RELEASE		20MAY2002	BAM



ITEM	QTY	PART NUMBER	DESCRIPTION	NOTE
4	1		SCREW, HHC, M6 X 16, KUPRODUR	
3	1		WASHER, SPRING LOCK, M6 KUPRODUR DIN 127 B, 6.1 X 11.8 X 1.6	
2	1		WASHER FL, BRASS, ISO7089 6.4x12x1.6	
1A/R			HEX BRASS UNS C36000, 12.0 AF	

PARTS LIST			
DRAWN BAM	DATE 18MAY2002	DO NOT SCALE FROM DRAWING DIMENSIONS & TOLERANCES (UNLESS OTHERWISE SPECIFIED)	
CHECK	DATE	ISYS ION BEAM SYSTEMS, INC. 282 BROKAW ROAD SANTA CLARA, CA 95050 TEL: (408) 986-8130 FAX: (408) 986-8333	
ENGINEERING BAM	DATE 18MAY2002	LINEAR	mm
		X.XXX	±0.03
		X.XX	±0.1
		X.X	±0.3
		X	±1
		DEG.	±0.5
		FINISH	1.6✓
NEXT ASSY	SYSTEM	THIRD ANGLE PROJECTION	TITLE
		COMMON	TERMINAL, M6
SOFTWARE: AUTOCAD 2000		SIZE	DRAWING NO.
		A3	17210415
		SCALE 4:1	WT kg
			SHEET 1 OF 1
			REV A

NOTES:

1 DE-BURR & BREAK SHARP EDGES 1.0.