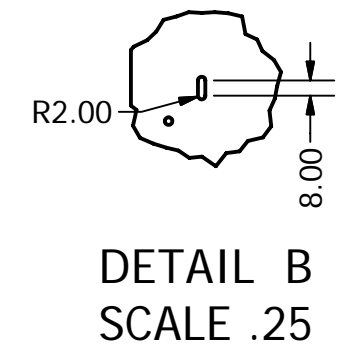
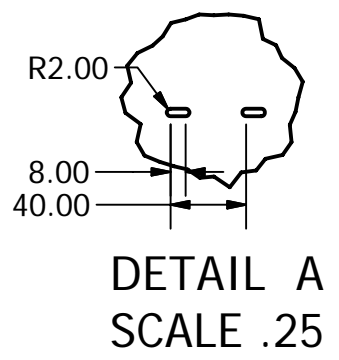
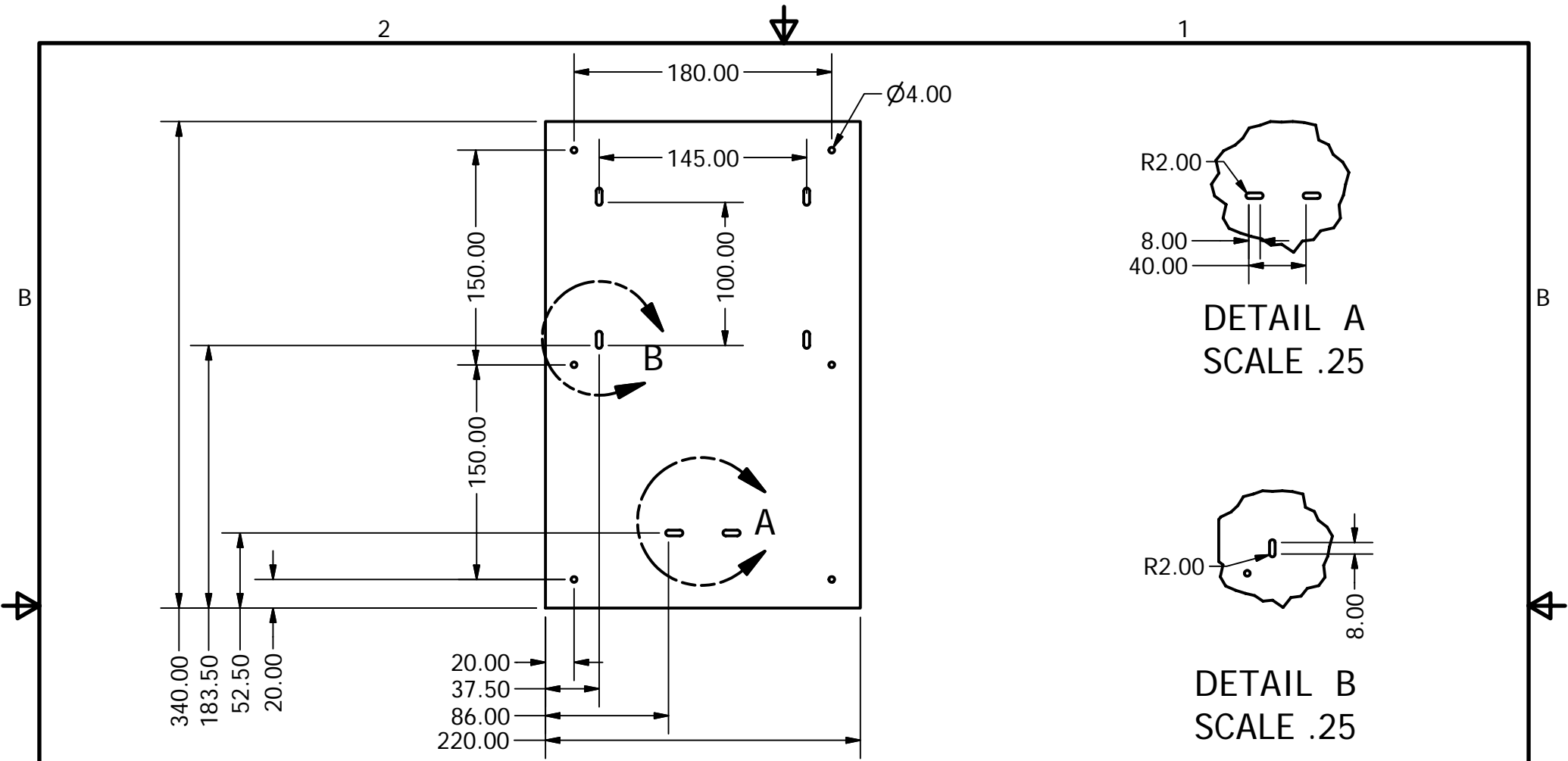
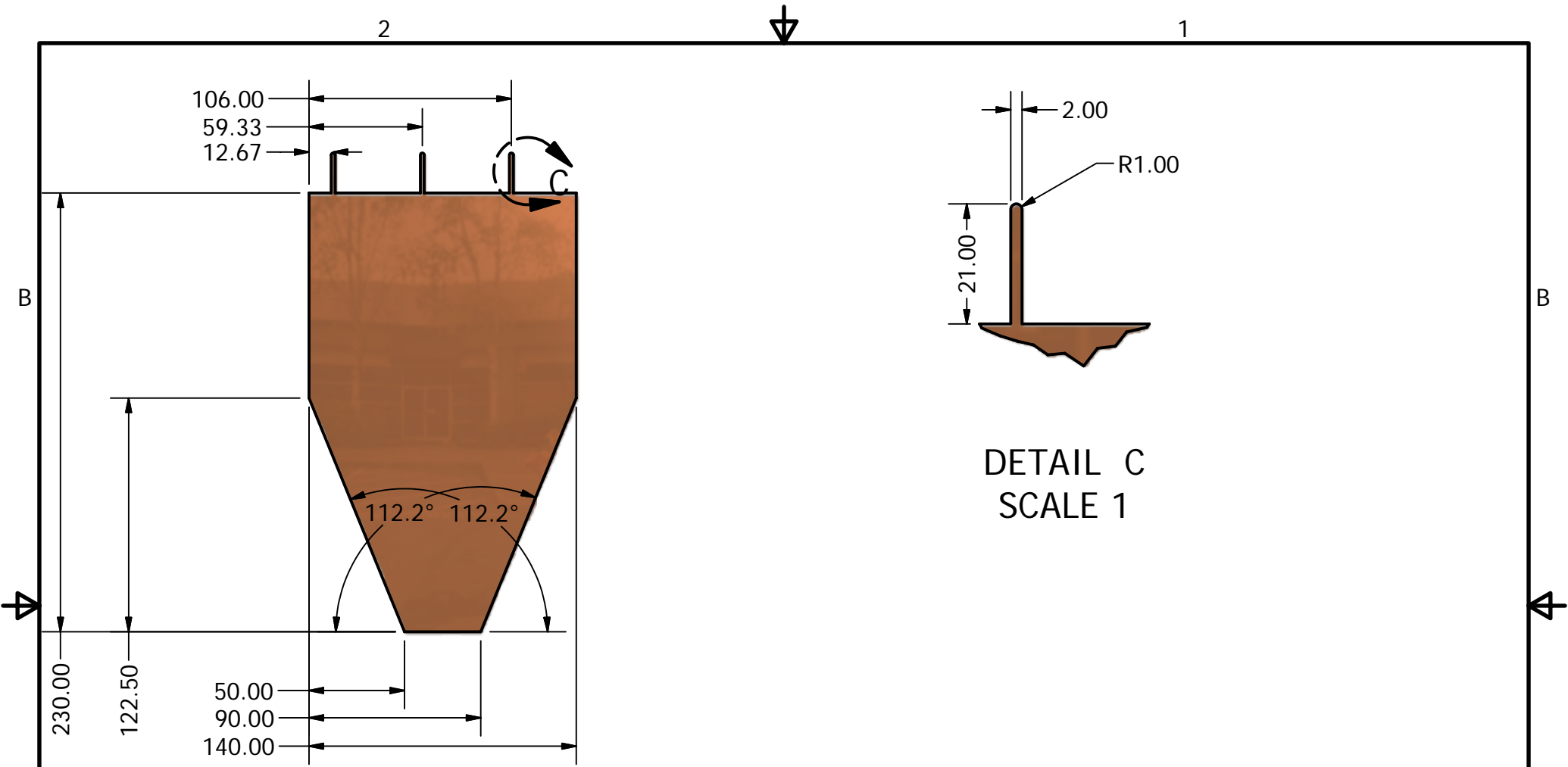


DRAWN Kevin Folkman	2/20/2009	Idaho Accelerator Center		
CHECKED		TITLE		
QA		Kapton Substrate Hole Detail		
MFG		SIZE	DWG NO	REV
APPROVED		A	Kapton Substrate 5_30_2007	
		SCALE		SHEET 1 OF 5



All Units: mm

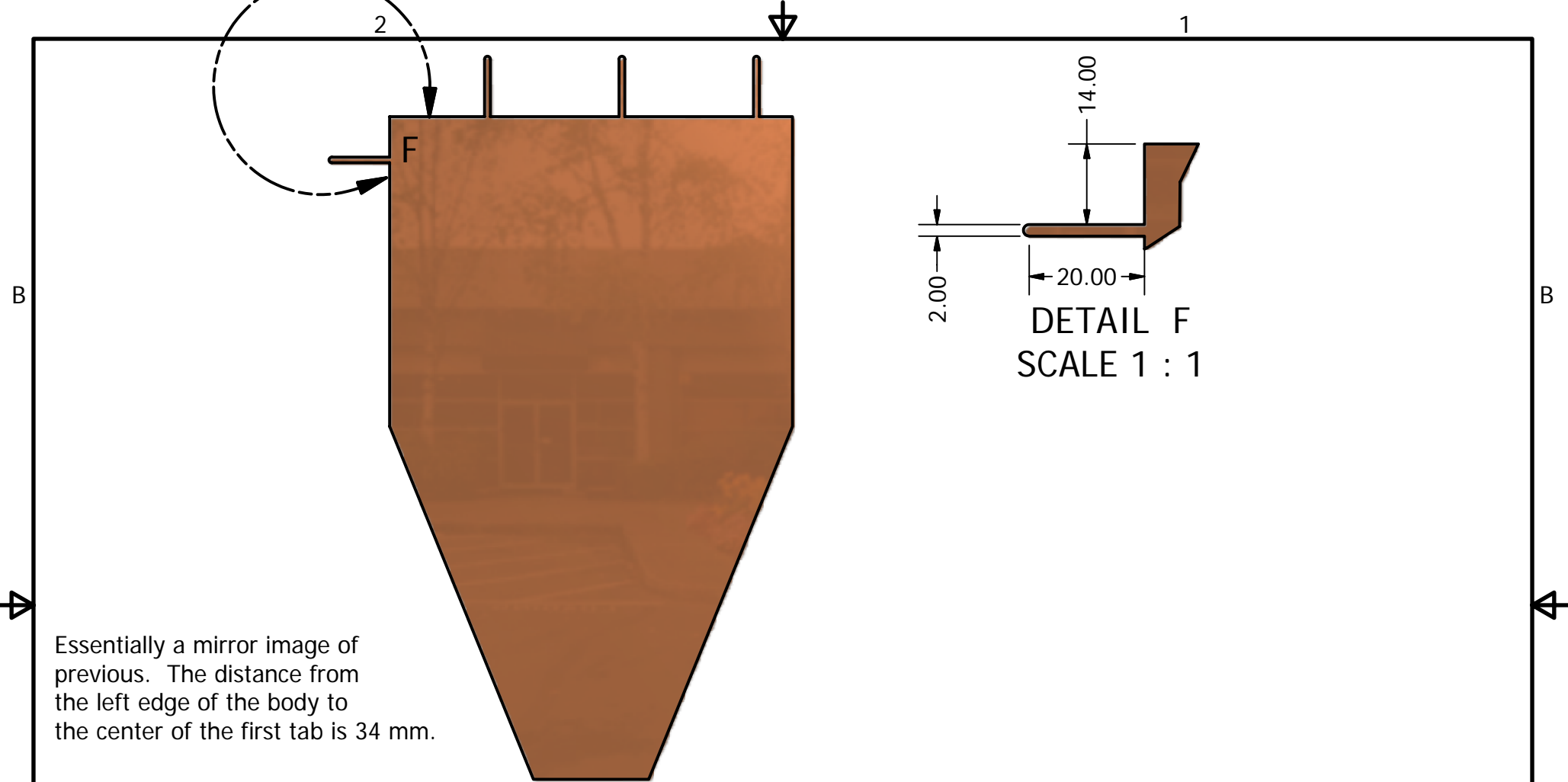
DRAWN Kevin Folkman	2/20/2009	Idaho Accelerator Center		
CHECKED		TITLE		
QA		Kapton Substrate Hole Detail		
MFG				
APPROVED				
		SIZE A	DWG NO Kapton Substrate 5_30_2007	REV
		SCALE	SHEET 2 OF 5	



All Units: mm

Left Tab has same dimensions as the tab shown in Detail C

DRAWN Kevin Folkman		2/20/2009		Idaho Accelerator Center			
CHECKED				TITLE			
QA				Kapton Substrate Hole Detail			
MFG							
APPROVED							
				SIZE	DWG NO		REV
				A	Kapton Substrate 5_30_2007		
				SCALE		SHEET 3 OF 5	



Essentially a mirror image of previous. The distance from the left edge of the body to the center of the first tab is 34 mm.

DRAWN Kevin Folkman		2/20/2009		Idaho Accelerator Center				
CHECKED								TITLE
QA				Kapton Substrate Hole Detail				
MFG								
APPROVED				SIZE		DWG NO		REV
				A		Kapton Substrate 5_30_2007		
				SCALE			SHEET 4 OF 5	

