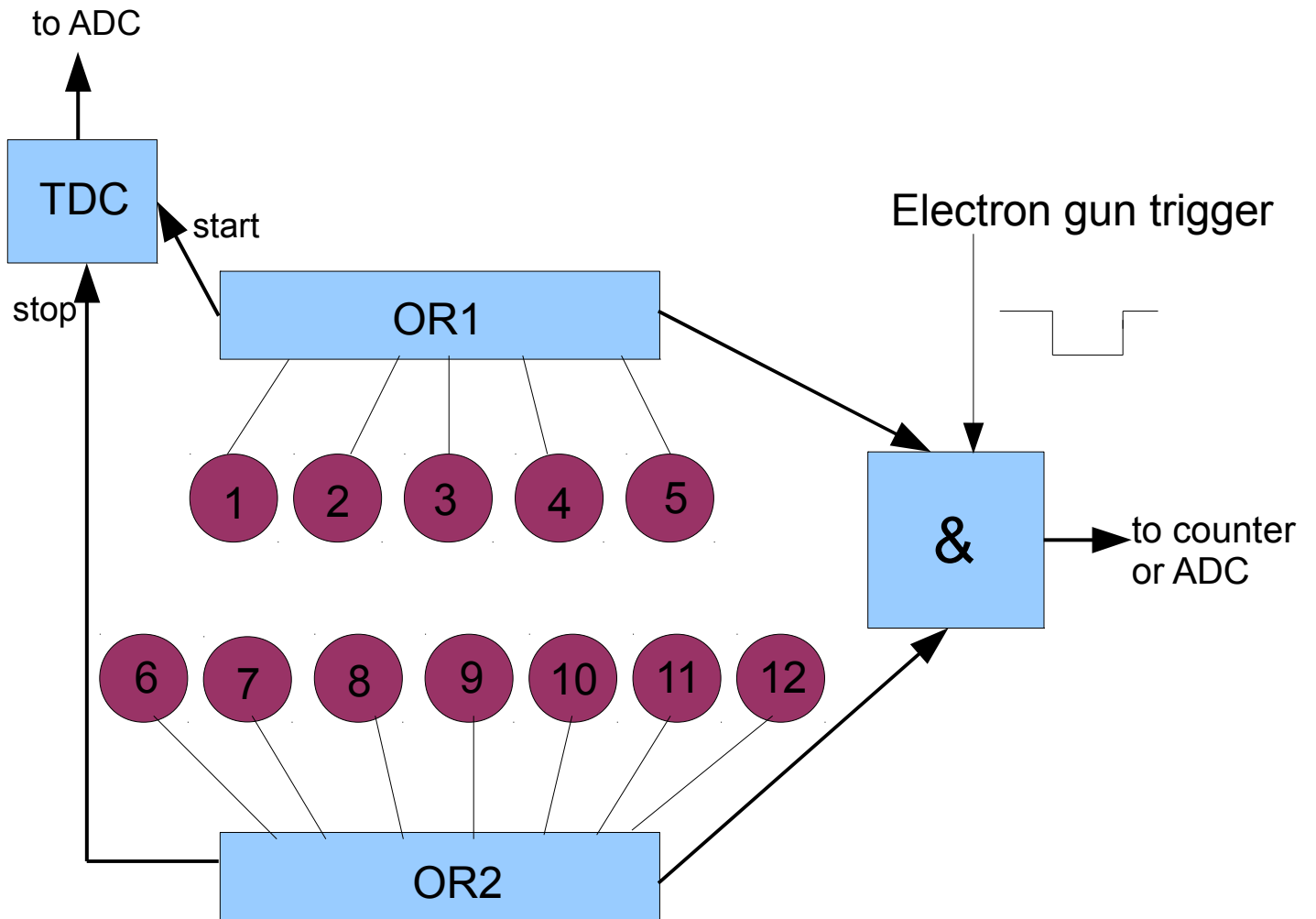


## Relative photon flux monitor DAQ logic



**What information do we need to get?**

1. Gated AND module;
2. 2 OR modules w/ at least 7 channels;
3. Linear FAN in/out module or active splitters.

FAN in/out module should have for each input channel at least three output channels.

So we need FAN in/out module with 12 input channels and 36 output channels.

