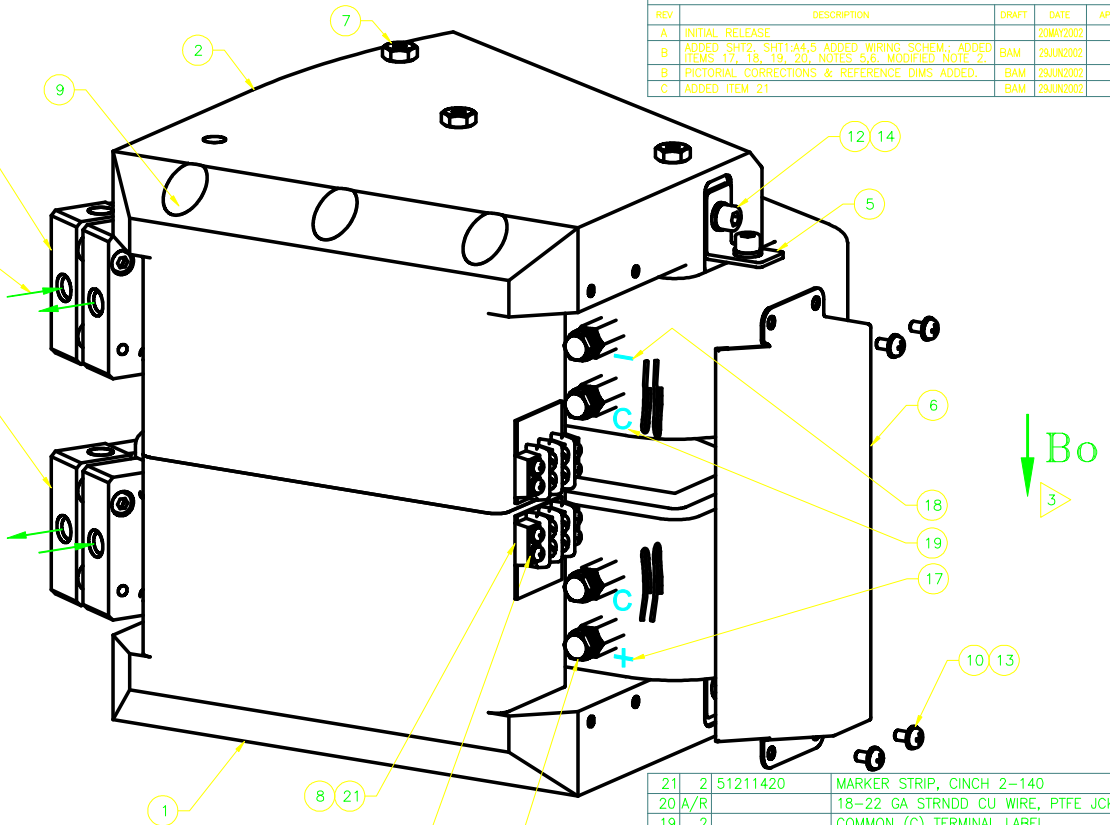
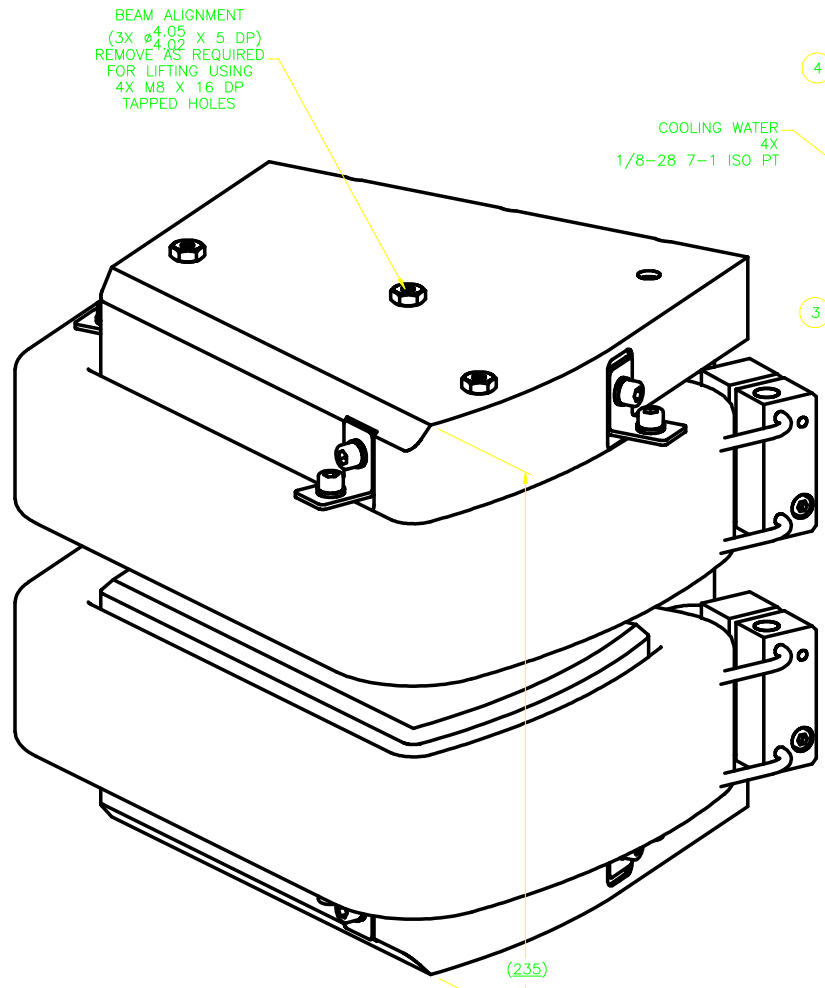


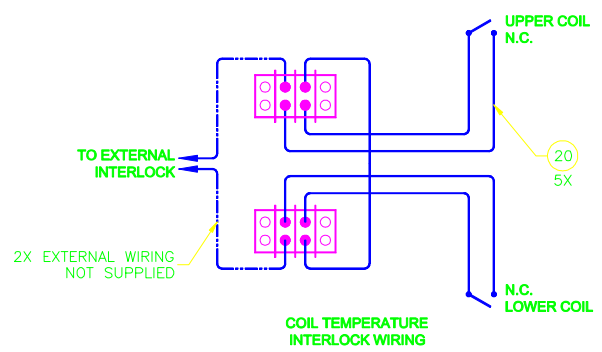
PROPRIETARY  
 THIS DRAWING CONTAINS CONFIDENTIAL INFORMATION PROPRIETARY TO ISYS. IT MUST NOT BE REPRODUCED OR DISCLOSED TO OTHERS OR USED IN ANY OTHER WAY, IN WHOLE OR IN PART EXCEPT AS AUTHORIZED IN WRITING BY ISYS.

REVISIONS				
REV	DESCRIPTION	DRAFT	DATE	APPROVED
A	INITIAL RELEASE		20MAY2002	BAM
B	ADDED SHT2, SHT1&4,5 ADDED WIRING SCHEM.; ADDED ITEMS 17, 18, 19, 20, NOTES 5,6, MODIFIED NOTE 2.	BAM	23JUN2002	BAM
B	PICTORIAL CORRECTIONS & REFERENCE DIMS ADDED.	BAM	23JUN2002	BAM
C	ADDED ITEM 21	BAM	23JUN2002	BAM



ITEM	QTY	PART NUMBER	DESCRIPTION	NOTE
21	2	51211420	MARKER STRIP, CINCH 2-140	
20	A/R		18-22 GA STRNDD CU WIRE, PTFE JCKT	
19	2		COMMON (C) TERMINAL LABEL	
18	1		NEGATIVE (-) TERMINAL LABEL	
17	1		POSITIVE (+) TERMINAL LABEL	
16	8		WASHER, INT LK,DIN6797J, 6X3.2X0.4,SS	
15	8		WASHER, FLAT ISO7089, 7X3.2X0.5, SS	
14	12		WASHER, FLAT ISO7092, 11X6.4X1.6, SS	
13	4		WASHER, FLAT ISO7089, 9X4.3X0.8, SS	
12	12		SCREW, SHC, ISO4762, M6 X 12, SS	
11	8		SCREW, PHPHD, ISO7045, M3 X 12, ZN	
10	4		SCREW, PHPHD, ISO7045, M4 X 8, ZN	
9	3		SCREW, SHC, ISO4762, M10 X 100, BK	
8	2	51211160	TERMINAL STRIP, CINCH 2-140	
7	3	17222691	ALIGNMENT INSERT	
6	1	17222680	TERMINAL COVER	
5	6	17222650	COIL BRACKET	
4	1	11222712	COIL ASSEMBLY, UPPER	
3	1	11222711	COIL ASSEMBLY, LOWER	
2	1	17222642	YOKE-POLE, UPPER	
1	1	17222641	YOKE-POLE, LOWER	

- NOTES**
- REMOVE ALL LOOSE PARTICULATES FROM ASSEMBLY, INCLUDING HOLES.
  - MAGNET SPECIFICATIONS**  
 CRT GAP 25 mm  
 MAX INDUCTION 0.3 T  
 NOMINAL BENDING RADIUS 319 mm  
 MASS-ENERGY PRODUCT 442 amu.keV  
 COIL POWER AT MAX INDUCTION 60 A @ 6.8 V  
 COOLING WATER AT MAX INDUCTION 1 liter/min @ 1.5 bar  
 MAX COIL CURRENT 65 A
  - MAGNETIC FIELD DIRECTION (COIL POLARITY FOR NEGATIVE BEAM PARTICLES)**
  - VERIFY THERE ARE NO SHORTS TO YOKE WITH OHM-METER TEST @ 300 V MINIMUM
  - SEE SHEET 2 FOR ADDITIONAL REFERENCE DIMENSIONS.
- NOTES CONTINUED ON SHEET 2.



DRAWN		DATE	DO NOT SCALE FROM DRAWING		PARTS LIST	
BAM	19MAY2002	DATE	DIMENSIONS & TOLERANCES (UNLESS OTHERWISE SPECIFIED)		ION BEAM SYSTEMS, INC.	
CHECK		DATE	LINEAR	mm	282 BROOKAW ROAD	
ENGINEERING			X.XXX	±0.03	TEL: (408) 986-8138	
BAM	29MAY2002		X.XX	±0.1	FAX: (408) 986-8330	
			X.X	±1	MAGNET ASSEMBLY	
			2	±0.5	TITLE	
			DEC.	±0.5	DRAWING NO.	
			FINISH	±0.5	REV	
			THIRD ANGLE PROJECTION		A1 11222720 C	
NEXT ASSY	SYSTEM	326	SCALE	1:1	SHEET 1 OF 2	
SOFTWARE:	AUTOCAD	2000	SCALE	1:1		