

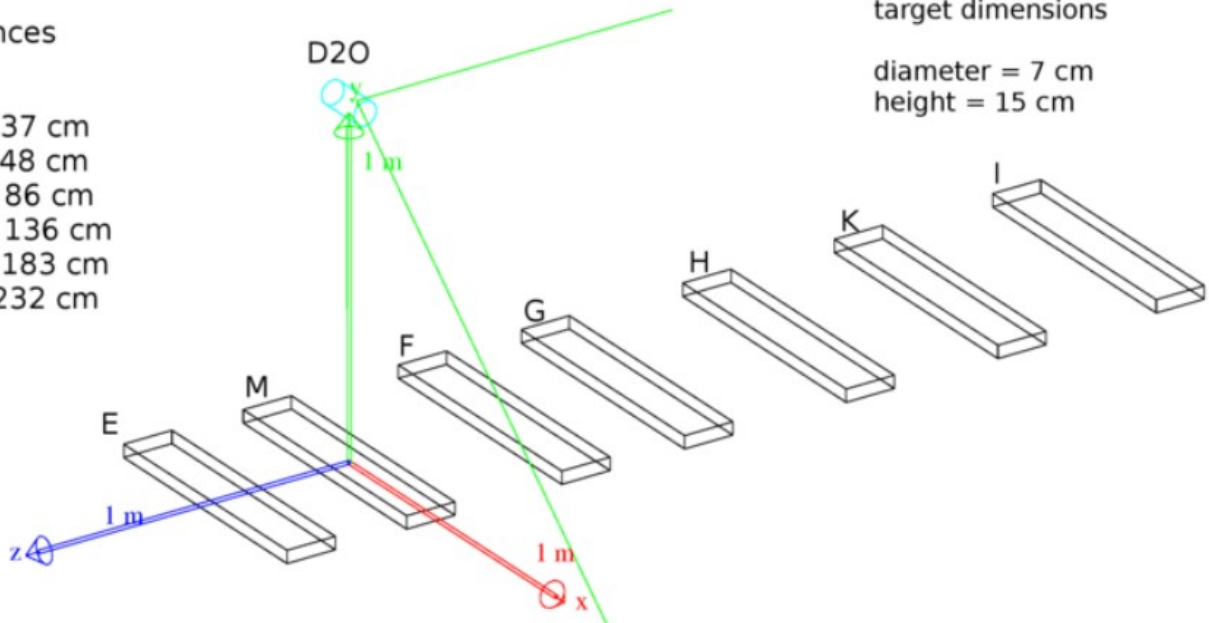
## TDC Map.

distances

EM = 37 cm  
 MF = 48 cm  
 MG = 86 cm  
 MH = 136 cm  
 MK = 183 cm  
 MI = 232 cm

target dimensions

diameter = 7 cm  
 height = 15 cm



**DetF:**

TDC 0 – F1 (left, looking downstream along the direction of z-axis for all detectors)  
 TDC 1 – F2 (right)

**DetG:**

TDC 2 – G1 (left)  
 TDC 3 – G2 (right)

**DetH:**

TDC 4 – H1 (left)  
 TDC 5 – H2 (right)

**DetI:**

TDC 6 – I1 (left)  
 TDC 7 – I2 (right)

**DetM:**

TDC 10 – M1 (left)  
 TDC 11 – M2 (right)

**DetF:**

TDC 14 – E1 (left)  
 TDC 15 – E2 (right)

**DetF:**

TDC 16 – K1 (left)  
 TDC 17 – K2 (right)

**Monitors:**

TDC 12 – pair spectrometer  
 TDC 13 - Ilyusha