


CAT6 550MHZ 23AWG, UTP, 4 PAIR, SOLID 1000' PULL BOX

PART NUMBER:
060-490/GY



PG. 1	<input type="checkbox"/> APPROVALS:	<input type="checkbox"/> DATE:	THE INFORMATION CONTAINED IN THIS DOCUMENT IS PROPRIETARY TO VERTICAL CABLE AND MAY NOT BE DISCLOSED OR TRANSMITTED TO ANY OTHER PARTIES WITHOUT THE EXPRESS WRITTEN PERMISSION OF VERTICAL CABLE. THIS INFORMATION IS PROVIDED FOR THE PURPOSES OF QUOTATION ONLY. 
	MARKETING		
	TECHNICAL		
	SALES		
	FINAL		

GENERAL INFORMATION ABOUT THIS PRODUCT:

MANUFACTURER:

REFERENCE: 060-490/GY

DESCRIPTION:

Category-6 UTP 1000' 8-Conductor, Grey-PVC Jacket, AWG23 Solid-Bare Copper, Pull Box (UL/ETL)

ACCESSORIES INCLUDED WITH THIS PRODUCT:

NONE

FEATURES AND BENEFITS:


- High-Performance Data Communications Cable
- Suitable for 550MHz High-Speed Data Applications, Gigabit Ethernet, Fast Ethernet and 155Mbps TP-PMD/CDDI
- Designed for Indoor Installations (CMR) Riser
- Category-6 Unshielded Twisted Pair (UTP) Cable
- 4-Pair – Easily Identified Color-Striped Pairs
- 23AWG Solid Bare Copper Conductors
- Excellent Attenuation and Crosstalk Characteristics
- Exceeds EIA/TIA 568 B.2-1, UL, CSA and ISO/IEC 11801 specifications
- UL/cUL or ETL Listed
- Supplied in 1000' Pull Box



PULL BOX



CABLE

PG. 2	<input type="checkbox"/> P/N: 060-490/GY	<input type="checkbox"/> PRODUCT: CATEGORY 6, UTP, 4 PAIR, 1000' PULL BOX
	<input type="checkbox"/> AUTHOR:	
	<input type="checkbox"/> DATE: 04/03/07 <input type="checkbox"/> REV: 01	

TECHNICAL INFORMATION ABOUT THIS PRODUCT:

MANUFACTURER:

REFERENCE: 060-490/GY


DESCRIPTION:

Category-6 UTP 1000' 8-Conductor, Bulk, Grey-PVC Jacket, AWG23 Solid-Bare Copper, Pull Box (UL/ETL)

TECHNICAL SPECS:

Rated Temperature (°C)	70
Rated Voltage (V)	30
Product Standard Certification	CMR
Flammability Test	
Conductor	Solid Bare Copper
Size	23 AWG
Diameter (mm)	0.570
Insulation	PE
Average Thickness (mm)	0.22
Min. Point Thickness (mm)	0.19
Insulation Diameter (±0.005mm)	1.01
Twisted Pair Diameter (±0.01)	2.02
Seperator	PP
Assembly Diameter	5.00
Jacket	PVC
Average Thickness (mm)	0.60
Min. Point Thickness (mm)	0.50
Outer Diameter (±0.10mm)	6.20
Rip Cord	Yes
Color	Grey
Color of Pairs	
Pair 1	Blue,White-Blue
Pair 2	Orange,White-Orange
Pair 3	Green,White-Green
Pair 4	Brown,White-Brown
Mechanical Characteristics	
Test Object	Jacket
Test Material	PVC
Before Tensile Strength (Mpa)	>=13.8
Aging Elongation (%)	>=100
Aging Condition (°Cxhrs)	100x168
After Tensile Strength (Mpa)	>=85% of unaged
Aging Elongation (%)	>=50% of unaged
Cold Bend (-20±2° Cx4hrs)	No Crack

PG. 3	<input type="checkbox"/> P/N: 060-490/GY	<input type="checkbox"/> PRODUCT: CATEGORY 6, UTP, 4 PAIR, 1000' PULL BOX
	<input type="checkbox"/> AUTHOR:	
	<input type="checkbox"/> DATE: 04/03/07	<input type="checkbox"/> REV: 01



Marking

VERTICAL E312655 (UL) C(UL) CMR FT4 UTP 4PR 23 AWG CAT6 550MHz VERIFIED
 TIA/EIA - 568B.2-1 (VID:X#) XXXFT
 SEQUENTIAL FOOT MARKERS ON JACKET

Electrical Characteristics:

1.0-100MHz Impedance (Ohms)	100±15
100-250MHz Impedance (Ohms)	100±25
250-550MHz Impedance (Ohms)	100±35
1.0-250MHz Delay Skew (ns/100m)	<=45
Pair-to-Ground Capacitance Unbalance (pF/100m)	<=330
Max. Conductor DC Resistance 20°C (ohms/km)	95
Resistance Unbalance (%)	<=5

Frequency (Mhz)	Return Loss (Min dB)	Attenuation Max (dB/100m)	Next (ns/100m)
0.772	19.4	1.8	76.0
1	20.0	2.0	74.3
4	23.0	3.8	65.3
8	24.5	5.3	60.8
10	25.0	6.0	59.3
16	25.0	7.6	56.2
20	25.0	8.5	54.8
25	24.3	9.5	53.3
31.25	23.6	10.7	51.9
62.5	21.5	15.4	47.4
100	20.1	19.8	44.3
200	18.0	29.0	39.8
250	17.3	32.8	38.3
350	16.3	39.8	36.1
450	15.5	46.0	34.5
550	14.9	51.7	33.2

Frequency (Mhz)	PSNext (Min dB)	ELFEXT Min(db/100m)	Delay Max(ns/100m)
0.772	74.0	70.0	-----
1	72.3	67.8	570.0
4	63.3	55.8	552.0
8	58.8	49.7	546.0
10	57.3	47.8	545.0
16	54.3	43.7	543.0
20	52.8	41.8	542.0
25	51.3	39.8	541.0
31.25	49.9	37.9	540.0
62.5	45.4	31.9	538.0
100	42.3	27.8	537.0
200	37.8	21.8	536.0
250	36.3	19.8	536.0
350	34.1	17.1	
450	32.5	15.2	
550	31.2	13.2	

**PG.
4**

P/N: 060-490/GY

PRODUCT: CATEGORY 6, UTP, 4 PAIR, 1000' PULL BOX

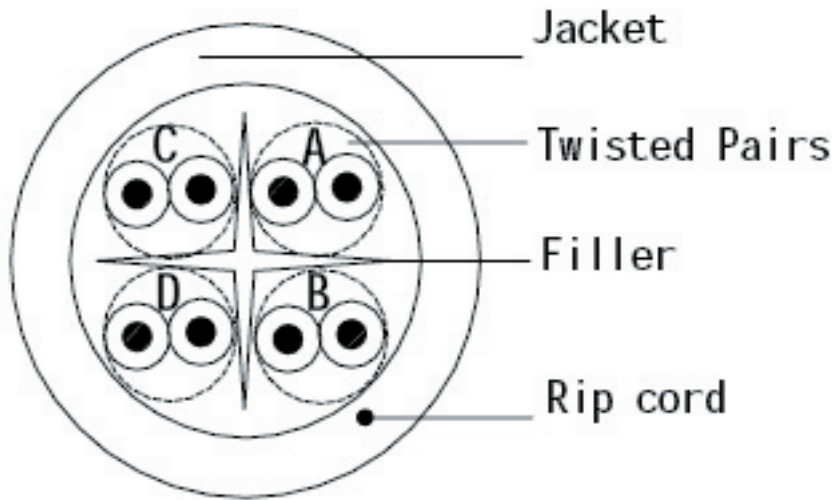
AUTHOR:

DATE: 04/03/07

REV: 01



TECHNICAL DIAGRAM:



LABEL FOR PRODUCTION DATE CONTROL:

THIS UPC LABEL IS PLACED ON EACH 1 UNIT SHIPMENT CARTON.


LABEL: UPC CODE



IMPORTANT NOTE: --

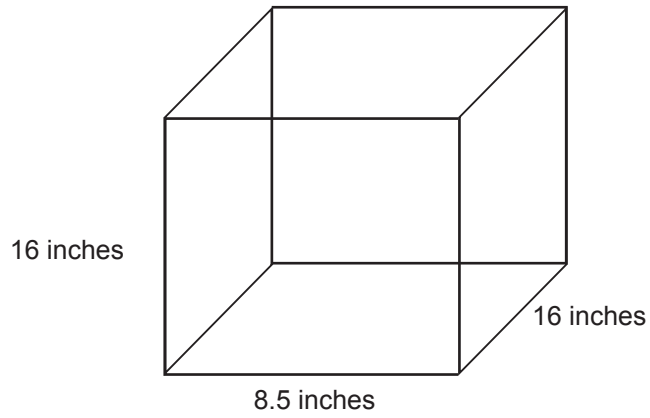
UL FILE NUMBER: E312655

ETL FILE NUMBER: --

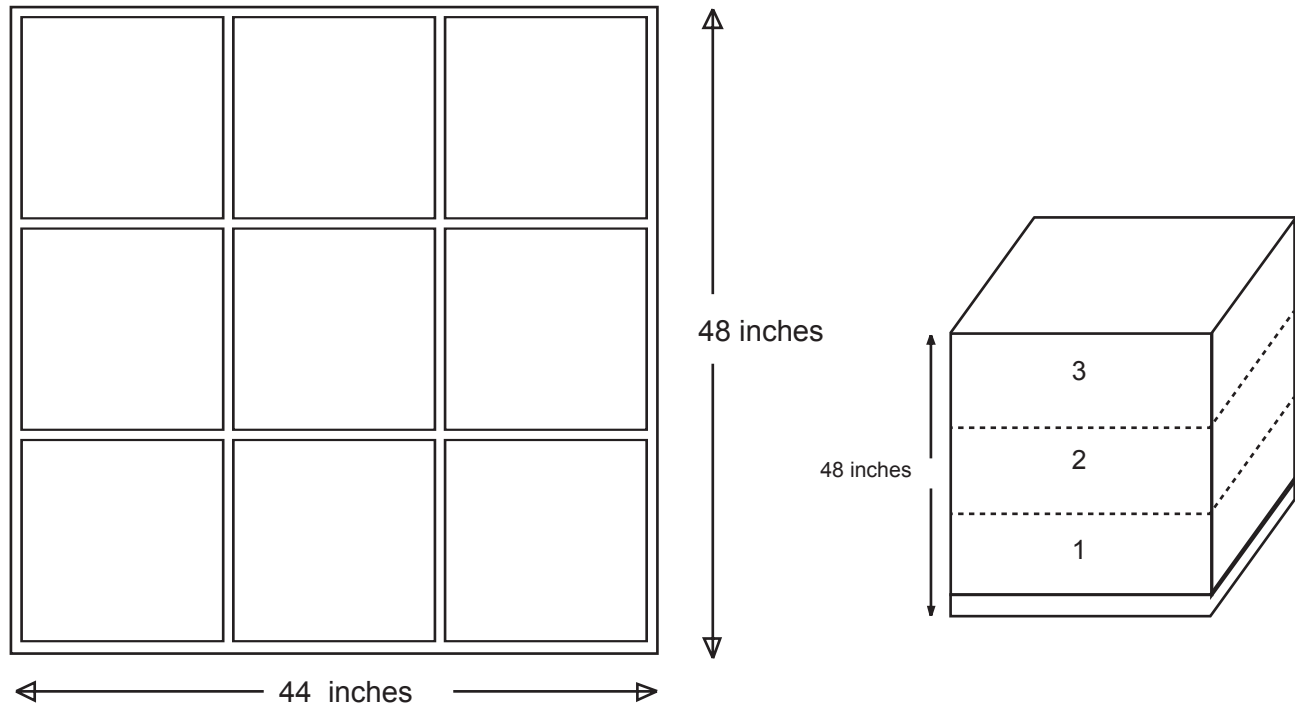
PG. 5	<input type="checkbox"/> P/N: 060-490/GY	<input type="checkbox"/> PRODUCT: CATEGORY 6, UTP, 4 PAIR, 1000' PULL BOX
	<input type="checkbox"/> AUTHOR:	
	<input type="checkbox"/> DATE: 04/03/07 <input type="checkbox"/> REV: 01	

SHIPMENT CARTON:

SHIPMENT BOX DIMENSION:



SHIPMENT CARTONS PLACED IN A PALLET (ONE PALLET FITS 45 CARTONS):



**PG.
7**

P/N: 060-490/GY

PRODUCT: CATEGORY 6, UTP, 4 PAIR, 1000' PULL BOX

AUTHOR:

DATE: 04/03/07

REV: 01

