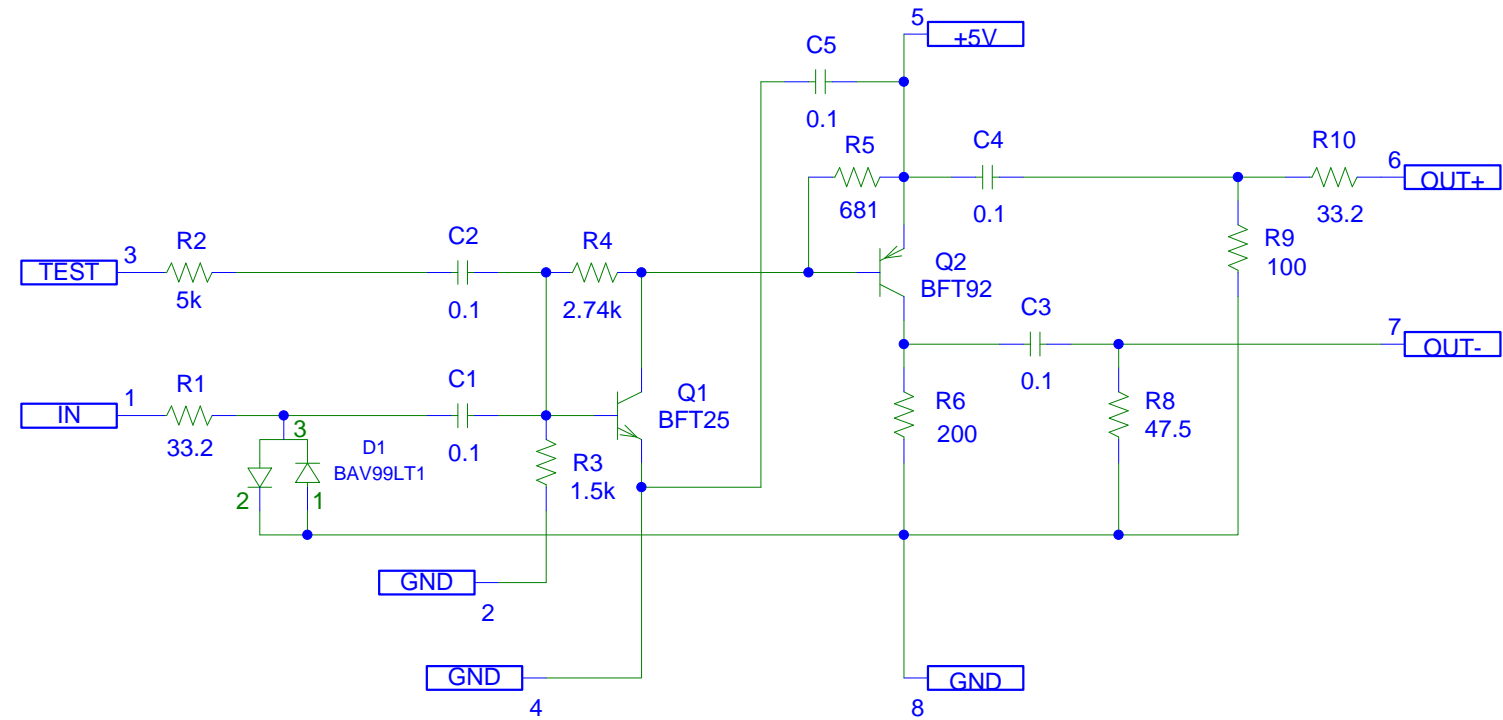


2

1

B

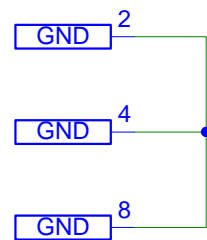
B



A

A

NOTE: PINS 2, 4 & 8 connected through leads on BOT LAYER (Ground Plane)



2

1

<b>Jefferson Lab</b>	<b>CP01H1 - HYBRID</b>
12000 Jefferson Ave. Newport News, VA 23606 Ph. 757-269-7433 Fax 757-269-5800 barbosa@jlab.org	CLAS DWC PRE-AMP Fernando J. Barbosa barbosa@jlab.org
Revision: -	23 MAY 1993 Page 1 of 1