

# QUOTATION Q30682

## CLEAN AIR PRODUCTS

8605 Wyoming Avenue North  
Minneapolis, Minnesota 55445  
Phone (763) 425-9122 or (800) 423-9728  
FAX (763) 425-2004  
E-mail: [info@cleanairproducts.com](mailto:info@cleanairproducts.com)  
Website: [www.cleanairproducts.com](http://www.cleanairproducts.com)

Document Date: October 12, 2010

Idaho State University  
921 S 8th Ave  
Pocatello, ID 83209

ATTN: Berkley Starks  
PHONE (208) 240-0467  
E-Mail [bstarks@jlab.org](mailto:bstarks@jlab.org) FAX

ITEM	QTY	DESCRIPTION	UNIT COST	EXTENDED COST
1	10	Part # CAP112-30682-1 Filter Unit - 2x4, Motorized Ceiling CAP112-424-H - UL listed unit - (3) Speed switch - Low decibel unit	\$640.00	\$6,400.00
<u>Quantity</u>		<u>Price per unit</u>		
1		\$725.00		
2-4		\$675.00		
5-9		\$650.00		
10-50		\$640.00		
51+		\$635.00		
1A	10	Upgrade to a Prefab Cable Attached to a Filter Unit - 11 ft long, up to 120 volt, 2 wire+ground	71.00	710.00

This quote is firm for 30 days. Standard Warranty Form 330 applies, located on website.  
Sales taxes are not included in the price. Applicable taxes will be added.  
Terms Net 30 from date of shipping. Some orders will require a deposit and / or progress payments.  
Credit Cards up to \$2500. All orders subject to approved credit. Consult factory for details.  
Interest charges of 1.5% per month on accounts past 30 days.  
Freight Prepay and Add to invoice, FOB Clean Air Products.

  
Jeff Phenerger ([jeffp@cleanairproducts.com](mailto:jeffp@cleanairproducts.com))

REP: Factory Direct

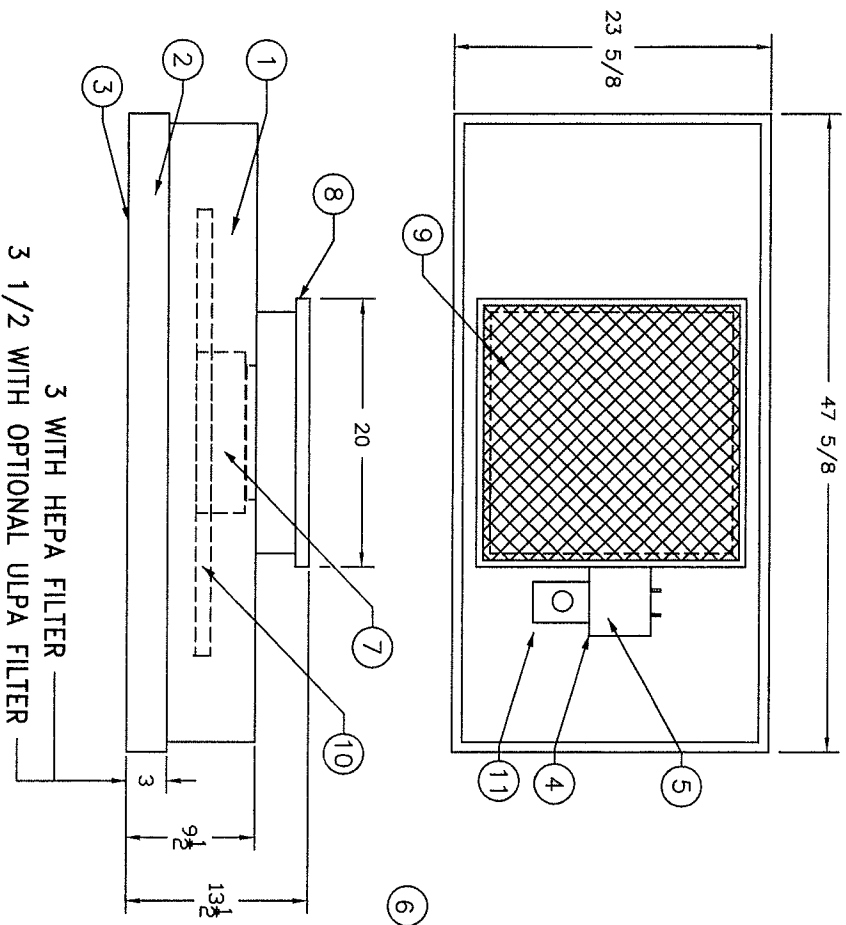
Jason Flaa   
ttt

**NOTE - Please e-mail purchase orders to: [PO@cleanairproducts.com](mailto:PO@cleanairproducts.com)**

1. GALVANIZED METAL PLENUM COVER.
2. HEPA FINAL FILTER
3. PROTECTIVE FACE GUARD.
4. ELECTRIC BOX - 120V 60HZ
5. ON/OFF SWITCH - with 3 speed settings.
6. HANGER HOLES.
7. BLOWER/MOTOR.
8. PREFILTER, 20 X 20 X 1
9. PREFILTER FRAME
10. SOUND BAFFLE

**OPTIONS:**

1. SPEED CONTROL
- POWER CORD
- RELOCK PREFAB WIRING SYSTEM
- FLOW THRU LIGHT
- ULPA FILTER, 99.9995%
- PAINTED HOUSING
- ALUMINUM HOUSING



3 WITH HEPA FILTER  
3 1/2 WITH OPTIONAL ULPA FILTER

Speed	High	Medium	Low
CFM	770	675	560
Velocity	110 LFPM	85 LFPM	70 LFPM
Amps	2.8	2.0	1.5
Decibels	53 dba	51 dba	49 dba

UL LISTED  
WEIGHT: 70 LBS.

**Clean Air Products** 8605 WYOMING AVENUE NORTH  
MINNEAPOLIS, MN. 55445 (763) 425-9122

MOTORIZED CEILING FILTER, LOW SOUND

CAP112-424-H

FORM NO. 112(FORMS) DRAWN BY CDG DATE 05 APR 2001 QUOTE NO. 030682 PART NO.

NOT TO SCALE

CAP112-424-HEPA Rev003