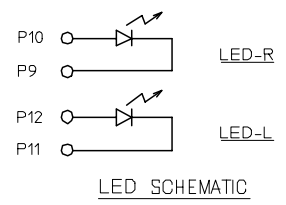
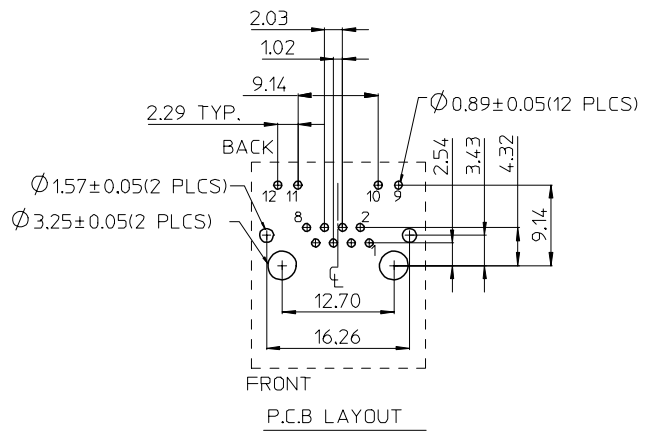
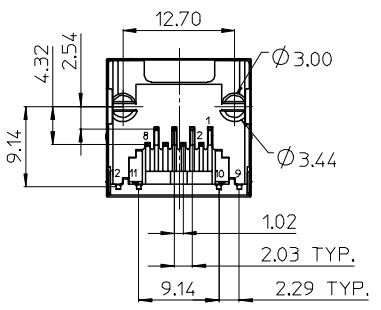
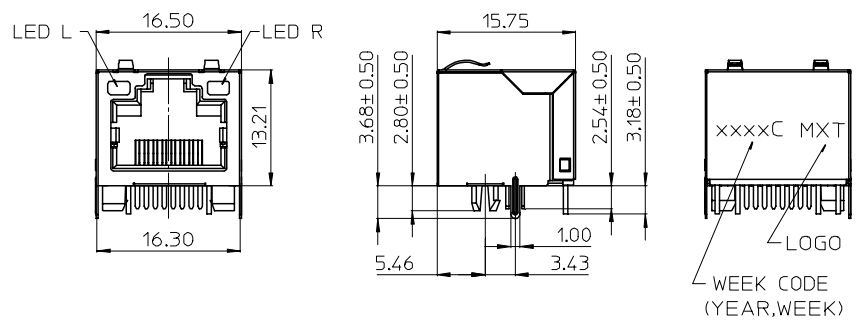


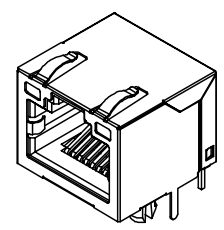
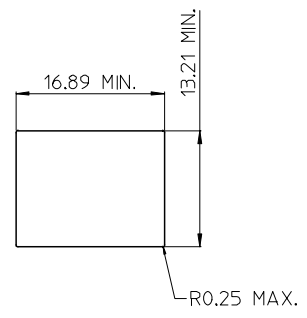
10 9 8 7 6 5 4 3 2 1

NOTES:
 1.MATERIAL:
 METAL SHELL: BRASS
 HOUSING: HIGH TEMP THERMOPLASTIC,UL94V-0,COLOR:BLACK
 INSERT: HIGH TEMP THERMOPLASTIC,UL94V-0,COLOR:BLACK
 TERMINAL: PHOSPHOR BRONZE
 2.PLATING:
 TERMINAL:
 CONTACT AREA: GOLD(Au),THICKNESS=50 MICROINCH/1.27 MICROMETER
 SOLDER TAIL: TIN(Sn),THICKNESS=100 MICROINCH MINIMUM,
 UNDER PLATE: NICKEL (Ni).
 METAL SHELL:
 SOLDER TAIL: TIN(Sn),THICKNESS=100 MICROINCH MINIMUM,
 UNDER PLATE: NICKEL (Ni),(SOLDERING AVAILABLE)
 SURFACE APPEARANCE: BRIGHT.
 3.RECOMMENDED PCB THICKNESS: 1.60±0.05
 4.PRODUCT SPECIFICATION REFER TO PS-48146-001
 5.TEST SUMMARY REFER TO TS-48146-001
 6.PACKAGING SPECIFICATION REFER TO PK-48146-001.
 7.LEAD FREE AND ROHS COMPLIANT PRODUCT.



LED ELECTRICAL SPECIFICATION

PARAMETER	GREEN (TYP.)	AMBER (TYP.)	UNITS	TEST CONDITIONS
POWER DISSIPATION	105	100	mW	
REVERSE VOLTAGE	5	5	V	
PEAK WAVELENGTH	565	600	nm	IF=20mA
FORWARD VOLTAGE	2.2 MAX.=2.5	2.1 MAX.=2.5	V	IF=20mA



P/N	LED COLOR	
	LEFT	RIGHT
48146-0001	GREEN	GREEN
48146-0011	GREEN	AMBER
48146-0010	AMBER	GREEN

ADD NEW P/N
 EC NO: SH2007-0138
 DRW:ALLIN 2006/09/12
 CHKD: 2006/09/13
 APPR:WWSCHANG 2006/09/13

QUALITY SYMBOLS
 ▽=0
 ▽=0

GENERAL TOLERANCES (UNLESS SPECIFIED)

	mm	INCH
4 PLACES	± ---	± ---
3 PLACES	± ---	± ---
2 PLACES	± 0.25	± ---
1 PLACE	± 0.25	± ---

ANGULAR ± 3 °

DRAFT WHERE APPLICABLE MUST REMAIN WITHIN DIMENSIONS

DIMENSION STYLE
 MM ONLY

DRAWN BY LINDA DATE 2004/07/27
 CHECKED BY ALL IN DATE 2004/07/27
 APPROVED BY WWSCHANG DATE 2004/07/27

MATERIAL NO. SEE TABLE

SCALE 1:1
 DESIGN UNITS METRIC
 THIRD ANGLE PROJECTION

TITLE CATEGORY 5 MODULAR JACK 8 POSITION, 8 CONTACTS

MOLEX MOLEX INCORPORATED

DOCUMENT NO. SD-48146-001 SHEET NO. 1 OF 1

THIS DRAWING CONTAINS INFORMATION THAT IS PROPRIETARY TO MOLEX INCORPORATED AND SHOULD NOT BE USED WITHOUT WRITTEN PERMISSION

9 8 7 6 5 4 3 2 1