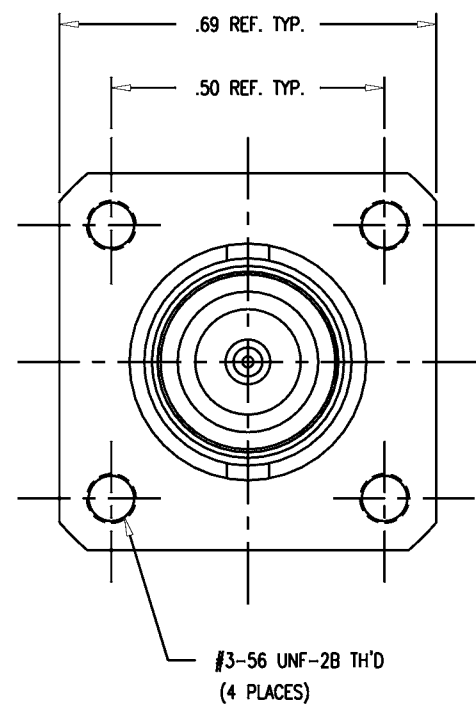
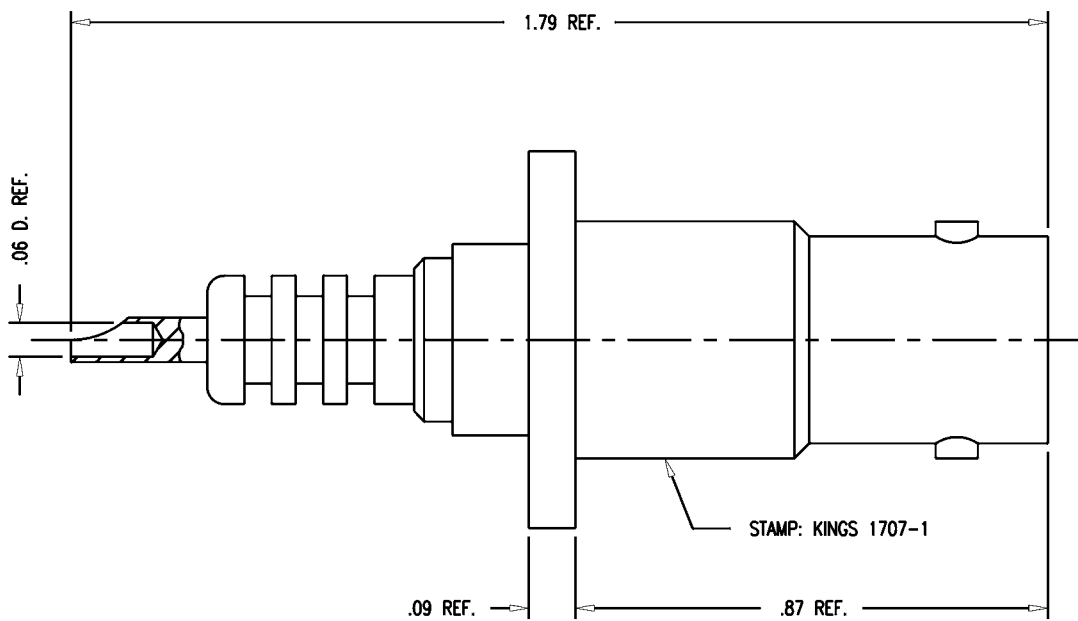


DASH NO.	M CODE	MADE FROM
----------	--------	-----------

# GSD



1707-1

REVISIONS	
ISSUE	CHANGES
3	CN 32289 E KH 06/13/90
4	CN 34186 C KH 11/06/92
5	CN 37951 E HVN 12/20/99

- NOTES:
- INTERFACE PER MIL-STD-348, FIG. 314-1.
  - MATERIALS:
    - INSULATOR: TEFLON, ASTM-D-1457
    - BODY } BRASS, ASTM-B16
    - CENTER CONTACT }
  - FINISHES:
    - CENTER CONTACT: GOLD PLATE PER MIL-G-45204
    - BODY: KINGS TARNISH RESISTANT FINISH (TR-5)
  - ELECTRIAL CHARACTERISTICS:
    - NOMINAL IMPEDANCE: NON-CONSTANT
    - VOLTAGE RATING: 3500 VRMS
    - 5000 VDC

SCALE 4:1	
APPROX SURFACE AREA	
USED ON	
REF:	
RECEPTACLE, PANEL, SHV, M	
DRAWN KH	DATE 06/13/90
DESIGN MJB	DATE 06/19/90
APPR.	DATE

**KINGS**  
ELECTRONICS CO., INC.  
TUCKAHOE, NEW YORK 10707

# GSD

1707-1

KAM0392