

4

3

2

DWG. NO.

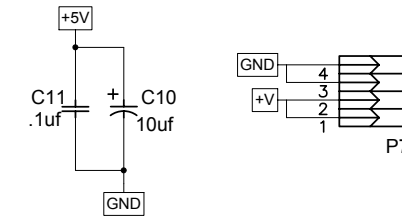
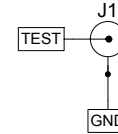
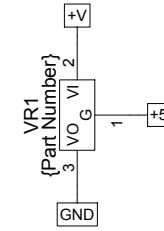
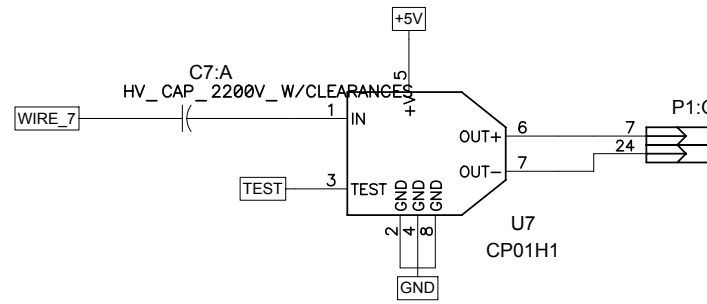
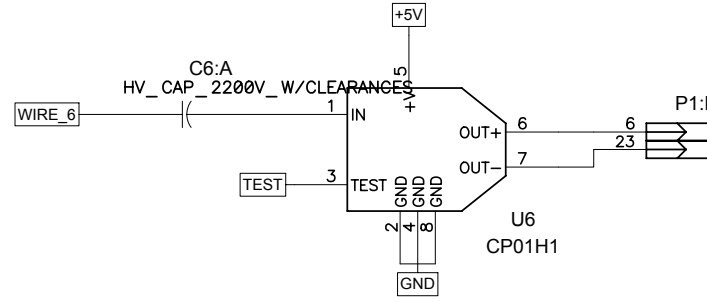
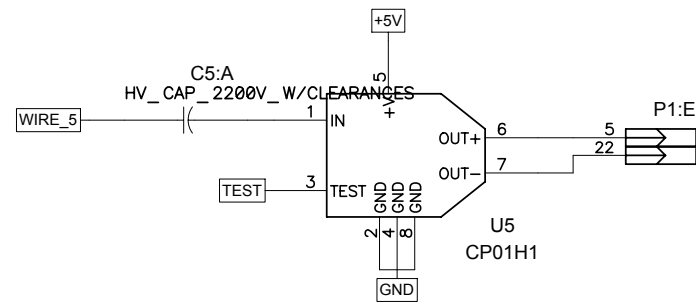
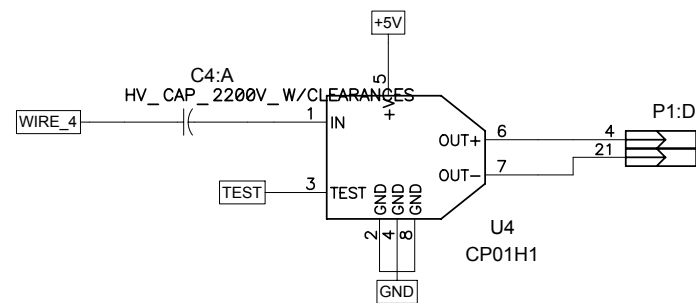
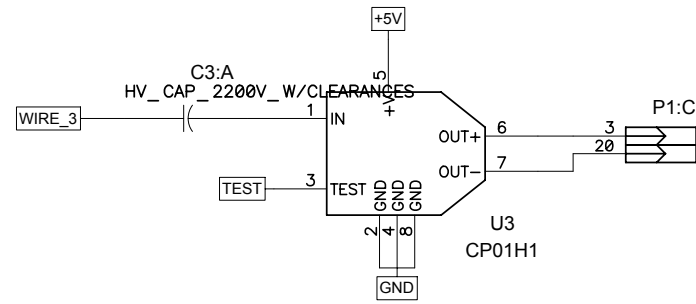
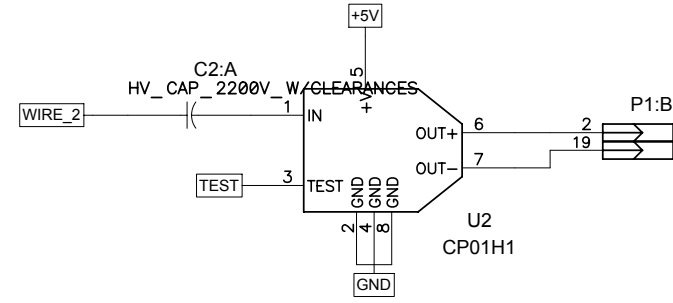
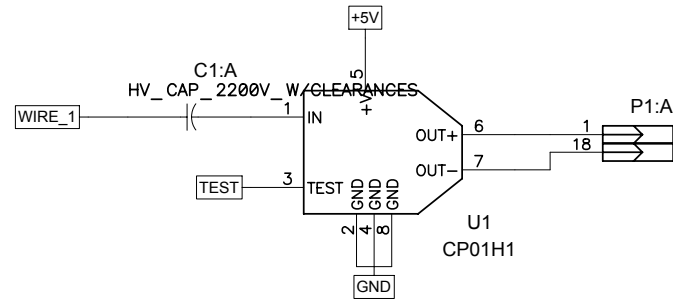
SH. 1

REV.

1

REVISIONS

REV.	REMARKS	DRAWN	DATE	APPROVED




4

3

2

1

DRAWN MARK TAYLOR	DATE 1/31/07
CHECKED	DATE
APPR/ORIGINATOR	DATE
APPROVED	
ENGINEER {Engineer}	


 Thomas Jefferson National Accelerator Facility
 NEWPORT NEWS, VIRGINIA
 UNITED STATES DEPARTMENT OF ENERGY

TITLE
**HALL-B
 CLAS II PROTOTYPE DRIFT CHAMBER
 SIGNAL TRANSLATER BOARD
 SCHEMATIC**

SIZE B	CAD I.D. NO. DIRECTORY PATH CLAS_PT.SCH	DRAWING NO.	REV.
SCALE NONE	SHOWN ON DRAWING NUMBER	SHEET 1 OF 1	