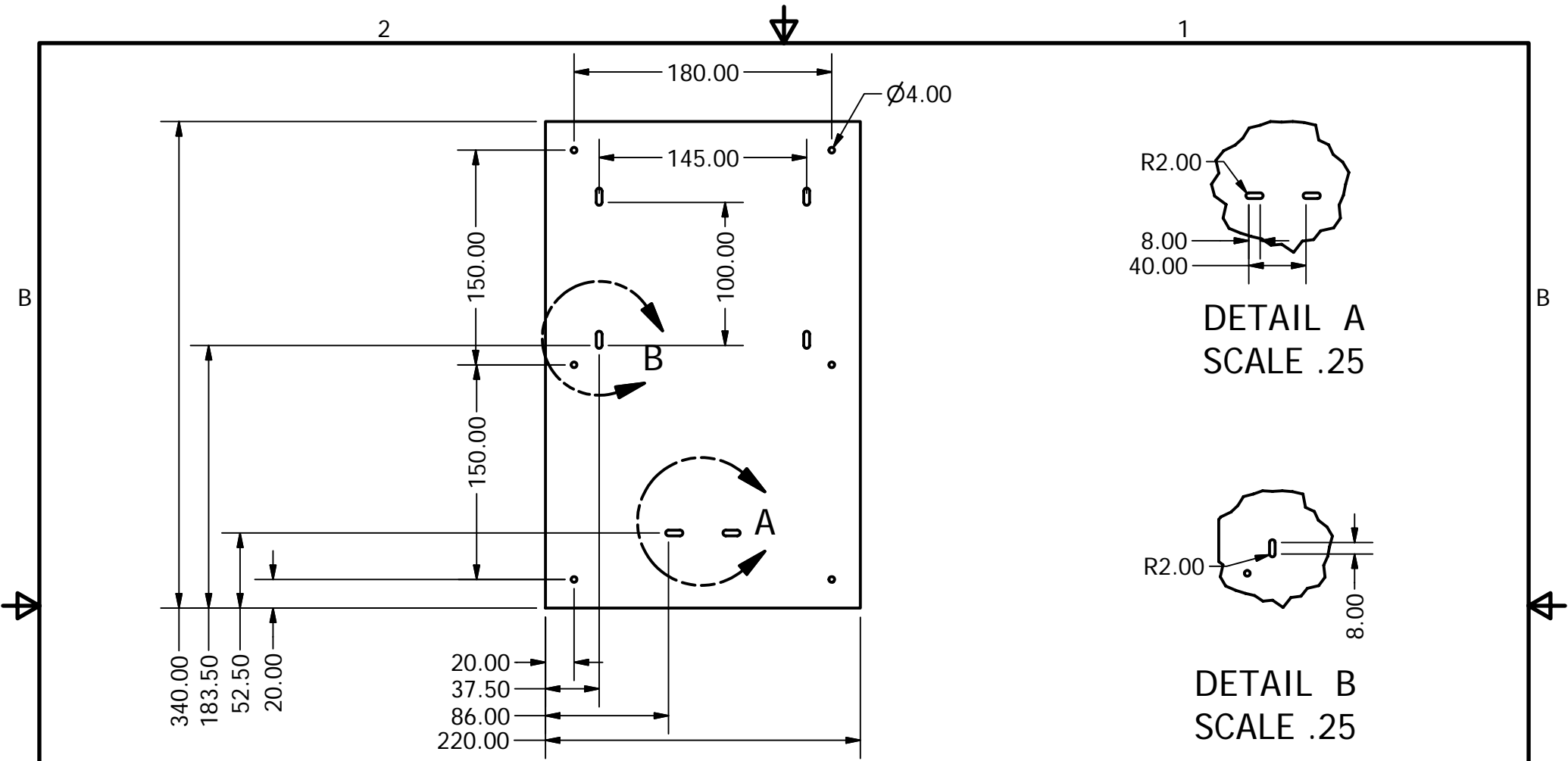


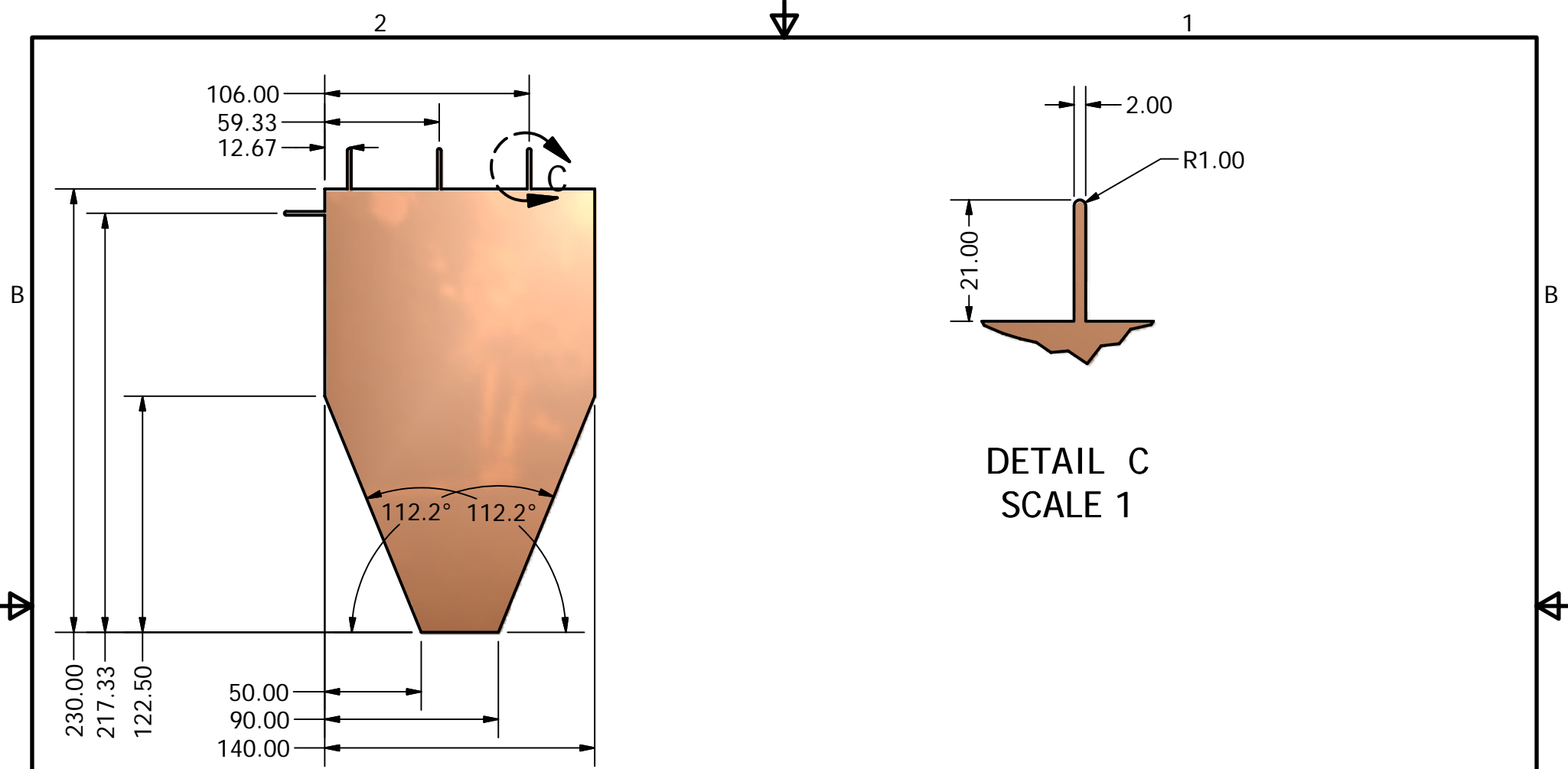
DRAWN Kevin Folkman	6/5/2007	Idaho Accelerator Center		
CHECKED		TITLE		
QA		Kapton Substrate Hole Detail		
MFG		SIZE	DWG NO	REV
APPROVED		A	Kapton Substrate 5_30_2007	
		SCALE		SHEET 1 OF 4



All Units: mm

DRAWN	Kevin Folkman	6/5/2007
CHECKED		
QA		
MFG		
APPROVED		

Idaho Accelerator Center		
TITLE		
Kapton Substrate Hole Detail		
SIZE	DWG NO	REV
A	Kapton Substrate 5_30_2007	
SCALE	SHEET 2 OF 4	



DETAIL C
SCALE 1

All Units: mm

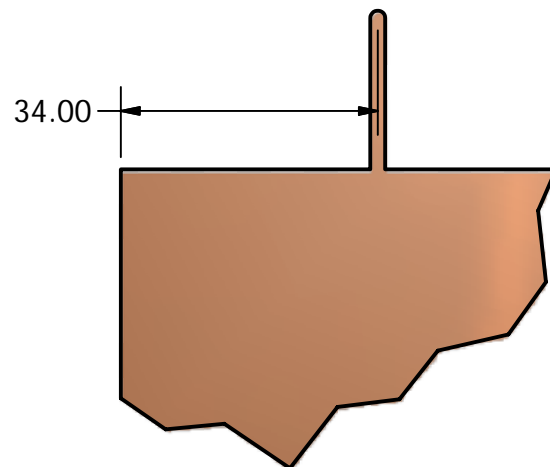
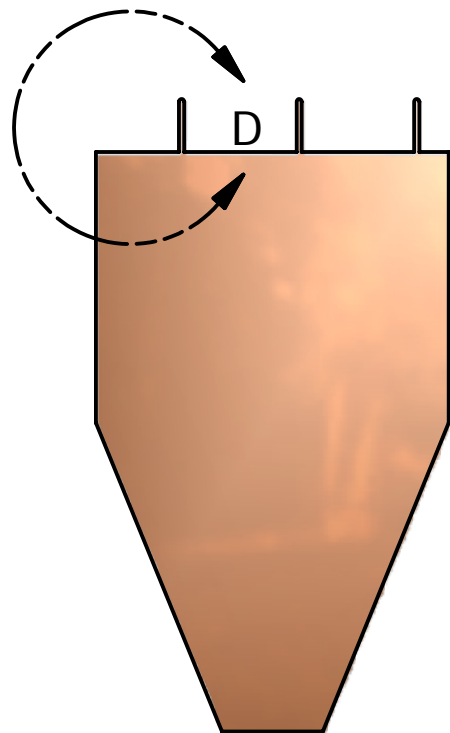
Left Tab has same dimensions as the tab shown in Detail C

DRAWN Kevin Folkman		6/5/2007		Idaho Accelerator Center			
CHECKED				TITLE			
QA				Kapton Substrate Hole Detail			
MFG							
APPROVED							
				SIZE	DWG NO		REV
				A	Kapton Substrate 5_30_2007		
				SCALE		SHEET 3 OF 4	

2



1



DETAIL D
SCALE 1

B

B

Essentially a mirror image of previous. The distance from the left edge of the body to the center of the first tab is 34 mm.



A

A

DRAWN Kevin Folkman		6/5/2007		Idaho Accelerator Center			
CHECKED							
QA				TITLE			
MFG				Kapton Substrate Hole Detail			
APPROVED							
				SIZE		DWG NO	REV
				A		Kapton Substrate 5_30_2007	
				SCALE		SHEET 4 OF 4	

2



1