

# CLEAN AIR PRODUCTS

8605 Wyoming Avenue North  
Minneapolis, Minnesota 55445-1828  
Phone (763) 425-9122 or (800) 423-9728  
FAX (763) 425-2004  
E-mail: info@cleanairproducts.com  
Website: www.cleanairproducts.com

# ACKNOWLEDGEMENT PN16810

Page 1 of 2

Document Date: April 27, 2011

### SHIP TO:

Idaho State University  
Pocatello Central Receiving  
638 East Dunn Street  
Pocatello, ID 83209

Quote #: Q30150F  
Cust. PO #: P0004963  
Cust. PO Date: 04/26/11  
Bill of Lading #: B  
Ship Via:  
Ship Date: 07/21/11  
Cust. Del. Date:  
Attached Drawings: 141856.0221  
A41856.0221.02  
AN000283



### SOLD TO/BILL TO:

Idaho State University  
921 South 8th Avenue, Stop 8219  
Pocatello, ID 83209  
Attn: Accounts Payable

**ATTN:** Dustin McNulty  
**PHONE** (208) 282-4901  
**E-Mail** mcnudust@isu.edu

**FAX**

**ATTN:** Tony Forest  
**PHONE** (208) 852-6781  
**E-Mail** tforest@jlab.org

**FAX**

**BUYER** Linda Baum  
**PHONE** (208) 282-3111

**FAX** (208) 282-4722

ITEM	QTY	DESCRIPTION	UNIT COST	EXTENDED COST
1	1	Part # CAP575-30150F-1 (141856.0221) Clean Room - Soft Wall CAP575-20x21x15H ISO Class 7, Class 10,000 - (10) Filter units - CAP112 - (8) Lights - CAP1210 - (32) White vinyl covered gypsum board blank tiles - White painted steel frame, powder coated - 4x4 Tubular steel legs - Steel pads for anchoring to the floor - White painted aluminum T-bar - Static dissipative, flame retardant, 40 mil, clear vinyl curtains - Upgrade (2) legs to be 5ft shorter for split level existing floor - Others to trim curtains as required	\$22,925.00	\$22,925.00
1A	1	Prefab Wire Kit PWK575-10F8L	1,653.00	1,653.00
1B	1	Upgrade to Strip Door - 80 mil, Flame Retardant, Clear Vinyl CAP1310 - 48Wx174L - 8-in. strips with a 2-in. overlap	442.00	442.00

- Continued on Next Page -

Idaho State University

1C	1	Upgrade to Strip Door - 80 mil, Flame Retardant, Clear Vinyl CAP1310 - 120Wx174L - 8-in. strips with a 2-in. overlap	\$1,105.00	\$1,105.00
2	12	Part # CAP1300-30150F-2 (AN000283) Curtain - 40 mil, Static Dissipative, Clear Vinyl CAP1300-A2-001-54Wx90L-40 - Flame retardant material - Dual Lock top, course front, 6in fine right back - Mating Dual Lock not included	109.00	1,308.00
3	1 roll	236034.0203 Dual Lock - Fine, 1 in wide x 50 yds Long, Black - Mating Dual Lock for existing frame	403.00	403.00



<b>Total Less Tax and Freight</b>	<b>\$27,836.00</b>
Sales Tax/EXEMPT	
Freight	
<b>Total</b>	

Standard Warranty Form 330 applies.  
 Sales taxes are not included in the price. Applicable taxes will be added.  
 Terms Net 30 from date of shipping, subject to approved credit.  
 Interest charges of 1.5% per month on accounts past 30 days.  
 Freight Prepaid and Add to invoice, FOB Clean Air Products.

**REP:** Factory Direct

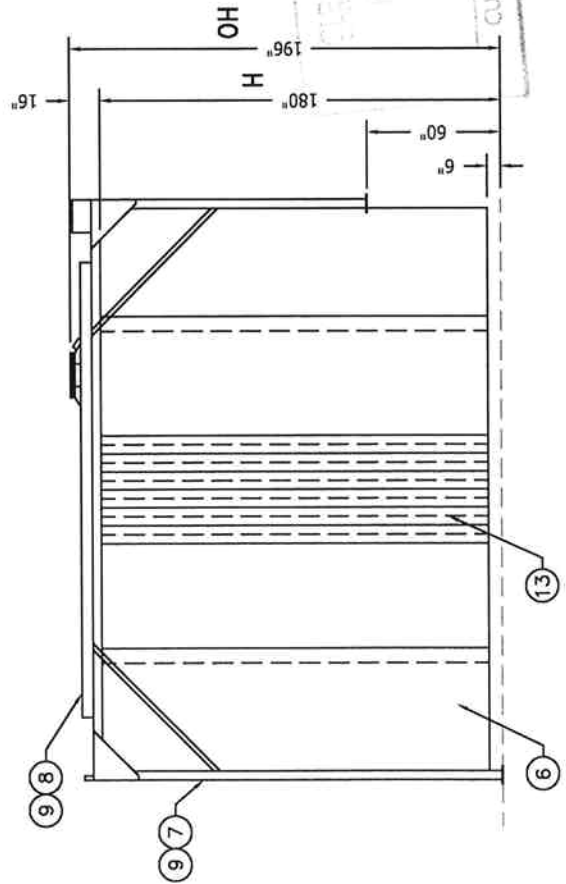
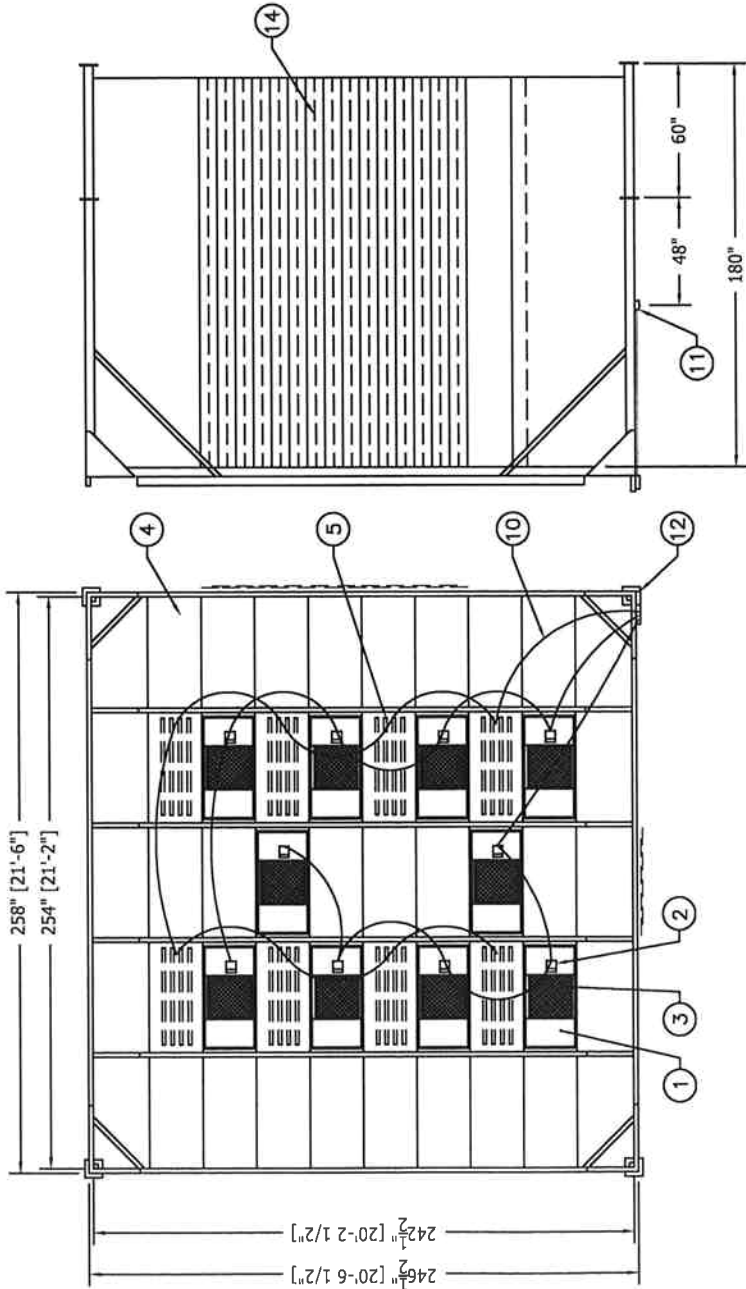
Jeff Pheneger (jeffp@cleanairproducts.com)  
 Jason Flaa  
 ttt/dmr

LEGEND FOR BALLOON NUMBERS

1. CAP112-424 Motorized ceiling HEPA filter.
2. Electrical junction box
3. Prefilter
4. Blank panel—white vinyl covered gypsum board with taped edges
5. Light—fluorescent with lamps
6. Curtains
7. Tube (4 in. x 4 in.) iron support legs with corner support gusset
8. Bolt together (2 in. x 4 in.) tubular steel support frame
9. White powder coated painted finish

OPTIONAL

10. QUICK FLEX prefabricated wiring
11. Light switch included with prefabricated wiring option.
12. Electrical junction box with prefabricated wiring option
13. Strip Door — 48W x 174L, 80 Mil Flame Retardant, Clear vinyl
14. Strip Door — 120W x 174L, 80 Mil Flame Retardant, Clear vinyl



NOTE: OTHERS TO TRIM CURTAINS AS REQUIRED.

Idaho State University  
Item 1; Qty. 1

CLEAN AIR PRODUCTS  
PRINT APPROVAL  
CUSTOMER

<b>Clean AIR PRODUCTS</b>	8605 WYOMING AVENUE NORTH MINNEAPOLIS, MN. 55445 (763) 425-9122	
	CLEAN ROOM, SOFT WALL	
CAP575 - 20 x 21 x 15H, Class 10,000		
DRAWN BY DAS	DATE 04/28/11	QUOTE NUMBER
5001575\		
PROJECT NUMBER		PART NUMBER
PN: 16810		141856.0221
		REV
		-

NOT TO SCALE

# CLEAN AIR PRODUCTS

General Offices and Plant, 8605 Wyoming Avenue North, Minneapolis, Minnesota 55445  
Phone (763) 425-9122 (800) 423-9728 Facsimile (763) 425-2004

E-mail: info@cleanairproducts.com  
Website: www.cleanairproducts.com

## CAP575 SERIES SOFTWALL CLEAN ROOM

CUSTOMER Idaho State University QUOTE # Q31218A ITEM # 1 PAGE # 1  
MODEL CAP575- 20' W x 21' L x 15' H QTY OF UNITS 1 PN # 16810  
ROOM CLASS 10,000 CUSTOMER PO# P0004963

ALL DIMENSIONS ARE IN INCHES UNLESS NOTED OTHERWISE

Qty 10 CAP112-424 Motorized Ceiling HEPA Filter:  
Aluminum frame with separatorless media,  
23.6 x 47.6 with a 3-inch frame,  
Junction box with On/Off switch on each HEPA filter module  
Prefilter 20x20x1 with metal support filter frame.

Std YES Filter efficiency 99.99% on 0.3 micron Polybead test.  
Option - Filter efficiency 99.999% on 0.12 micron Polybead test.

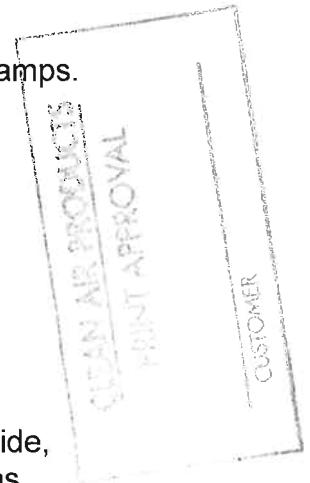
Std 8 Lights 2ft x 4ft - 4 Lamp - "Seal Tight" panel lights with white lamps.  
Option - Lights flow thru 2ft x 4ft - 4 lamp with white lamps.  
Flow thru lights are shipped installed under the CAP112.

Option YES Prefab electric wiring kit (Quick-Flex style) - includes:  
- Junction connection box  
- 2 light switches on leg (one for each filter bank)  
- UL listed Quick-Flex cables between junction box and filters  
40.0 Total amps at 120 volts, 60 Hz, single phase

Std YES Clear vinyl curtains, 40 mil, static dissipative, flame ret., 54" wide,  
Dual Lock mounting, approximate 6" overlap between curtains,  
6" Floor gap.

Option YES (1) Strip door - 48" wide x 174" long, 80 mil, flame retardant.

Option YES (1) Strip door - 120" wide x 174" long, 80 mil, flame retardant.

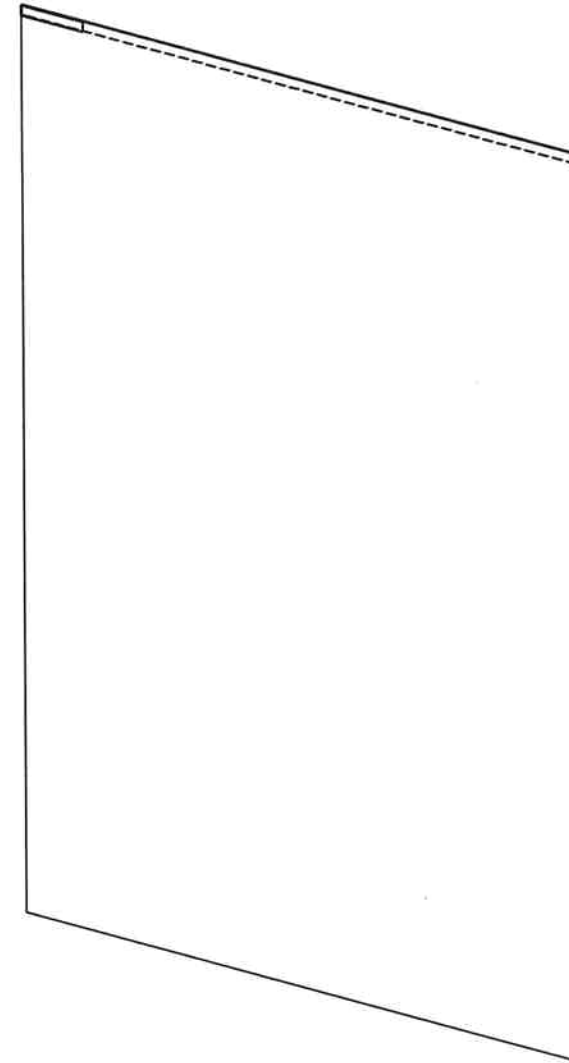
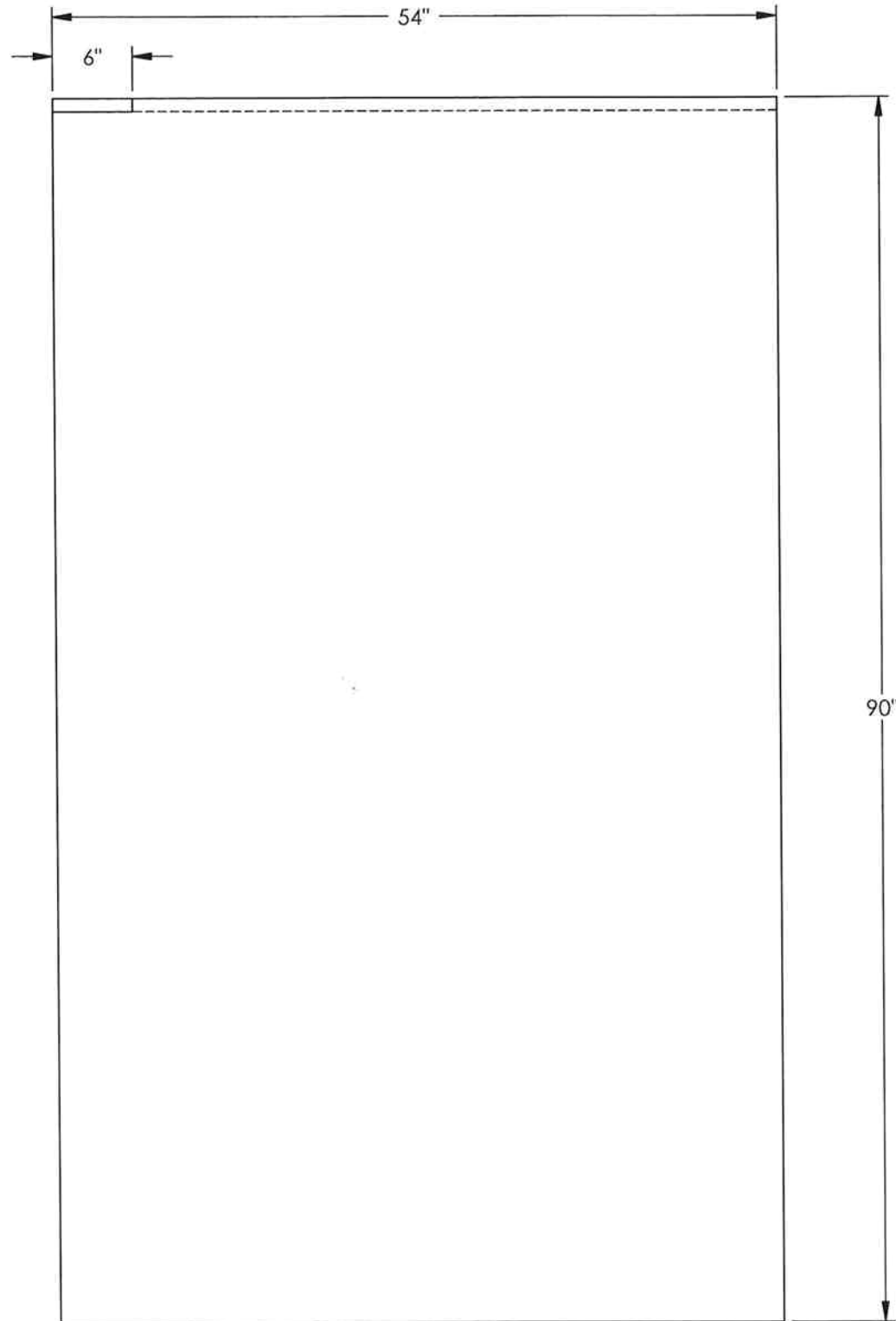


A41856.0221.02

NOTES: UNLESS OTHERWISE SPECIFIED

1. DIMENSIONS ARE IN INCHES.

REV	DESCRIPTION	DATE	APPROVED
1	Released	03/22/2011	Dan



**Specifications:**

- 40 mil clear Vinyl, Static Dissipative, Flame Retardant
- Dual Lock
- Mating Dual Lock (Not Included)

Approval\_Page\_1\_Template

PROPRIETARY AND CONFIDENTIAL THE INFORMATION CONTAINED IN THIS DRAWING IS THE SOLE PROPERTY OF CLEAN AIR PRODUCTS. ANY REPRODUCTION IN PART OR AS A WHOLE WITHOUT THE WRITTEN PERMISSION OF CLEAN AIR PRODUCTS IS PROHIBITED.	PROJECT NUMBER	QTY	<b>Clean Air PRODUCTS</b> 8605 WYOMING AVENUE NORTH • MINNEAPOLIS, MN 55445 800-423-9728 • ph: 763-425-9122 • fax: 763-425-2004 www.cleanairproducts.com			
	<b>PN16810</b>	<b>12</b>	DESCRIPTION/MODEL NO.			
	CUSTOMER Idaho State University	DRAWN BY Dan	09/02/2010	<b>CAP1300 - 54W x 90L, Clean Room Curtain                  40 mil. Clear Vinyl, Antistatic, Fire                  Retardant</b>		
	MAKE/BUY MAKE	SHOP PACK PRINT STATUS 13 None	SIZE <b>B</b>	REPLACES	REPLACED BY	APPROVAL PART NO. AN000283
LAST MODIFIED BY Dan	LAST MODIFIED DATE 04/28/2011	SCALE NONE	SHEET		REV <b>1</b>	
					1 of 1	

# Idaho State UNIVERSITY

Purchasing Services  
(208) 282-3111  
(208) 282-4722 Fax

**RECEIVED**  
APR 27 2011  
By 16810

PO Number: **P0004963**  
Issue Date: **04/26/11**  
Delivery Date: **07/26/11**

Clean Air Products Co  
8605 Wyoming Ave N  
Brooklyn Park MN 55445-1828

Buyer: Linda Baum Agent Approval: Linda Baum

Description	Quantity	Unit Cost	Total Cost
shipping and handling total is unknown FAX (763) 425-2004 EPLS 04-26-11 Quotation Q30150F Policy Dir. 10-02			
1 BRM15010 Clean Room 1) Part # CAP5775-30150F-1 Clean Room Soft Wall	1.00 EA	22,925.0000	22,925.00
2 BRM15010 Prefab Wire Kit PWK575-10F8L	1.00 EA	1,653.0000	1,653.00
3 BRM15010 Upgrade to Strip Door-80 mil Item 1B	1.00 EA	442.0000	442.00

FOB: FOB Destination, Frt PRD

Send Billing Invoice to:

Idaho State University  
921 S 8th Ave, Stop 8219  
Pocatello, ID 83209-8219  
ATTN: Accounts Payable

Ship to:

Dustin McNulty  
ISU Pocatello Central Receiving  
638 E Dunn St  
Pocatello ID 83209

Terms:

Packing slip must accompany all shipments.  
Purchase Order number must appear on all shipping labels, invoices, and correspondence.  
TERMS & CONDITIONS LISTED ON THE STATE OF IDAHO WEB SITE, <http://adm.idaho.gov/purchasing>, APPLY.  
Idaho State University is exempt by statute from payment of state sales taxes.  
Federal ID and tax exemption number is 82-6000924.

*TERMS + CONDITIONS COULD NOT BE FOUND WITH THESE INSTRUCTIONS, THEREFORE, THEY WILL NOT BE CONSIDERED A PART OF THIS ORDER.*

**CLEAN AIR PRODUCTS**  
**PRINT APPROVAL**

# Idaho State UNIVERSITY

Purchasing Services  
(208) 282-3111  
(208) 282-4722 Fax

PO Number:	<b>P0004963</b>
Issue Date:	<b>04/26/11</b>
Delivery Date:	<b>07/26/11</b>

Clean Air Products Co  
8605 Wyoming Ave N  
Brooklyn Park MN 55445-1828

Buyer	Agent Approval
Linda Baum	

Description	Quantity	Unit Cost	Total Cost
4 BRM15010 Upgrade to Strip Door- 80 mil Item 1C	1.00 EA	<del>1,050.0000</del> 1,050.0000	<del>1,050.00</del> 1,050.00
5 BRM15010 Part #CAP1300-30150F-2 Curtain-40mil	12.00 EA	109.0000	1,308.00
6 BRM15010 236034.0203 Dual Lock-Fine, 1" wideX50 yrds, Black	1.00 ROL	403.0000	403.00

CLEAN AIR PRODUCTS  
 PRINT APPROVAL  
 CUSTOMER

FOB: FOB Destination, Frt PPD	ADDE CHARGES	.00
	<b>TOTAL</b>	<b>27,761.00</b>

Send Billing Invoice to: Idaho State University  
921 S 8th Ave, Stop 8219  
Pocatello, ID 83209-8219  
ATTN: Accounts Payable

Ship to: Dustin McNulty  
ISU Pocatello Central Receiving  
638 E Dunn St  
Pocatello ID 83209

*27,761.00*

Terms: *SAME AS FIRST PAGE*

Packing slip must accompany all shipments.  
Purchase Order number must appear on all shipping labels, invoices, and correspondence.  
TERMS & CONDITIONS LISTED ON THE STATE OF IDAHO WEB SITE, <http://adm.idaho.gov/purchasing>, APPLY.  
Idaho State University is exempt by statute from payment of state sales taxes.  
Federal ID and tax exemption number is 82-6000924.