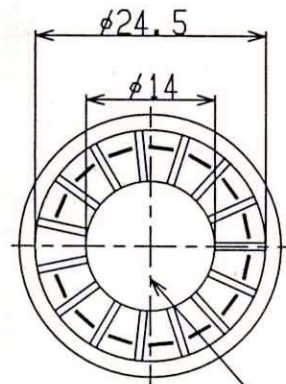
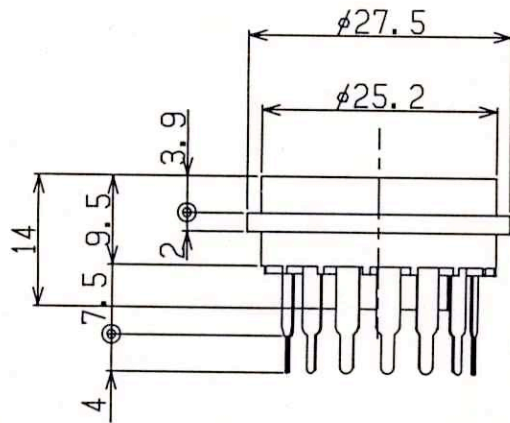
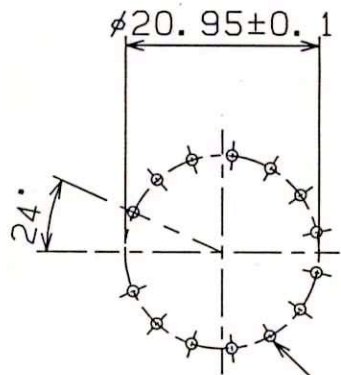


# E678-14S (without Flange and PCB mount type pins)



CHIP COVER



14- $\phi$ 1.3  $\pm$ 0.1

**HAMAMATSU**  
HAMAMATSU PHOTONICS K.K. Electron Tube Center