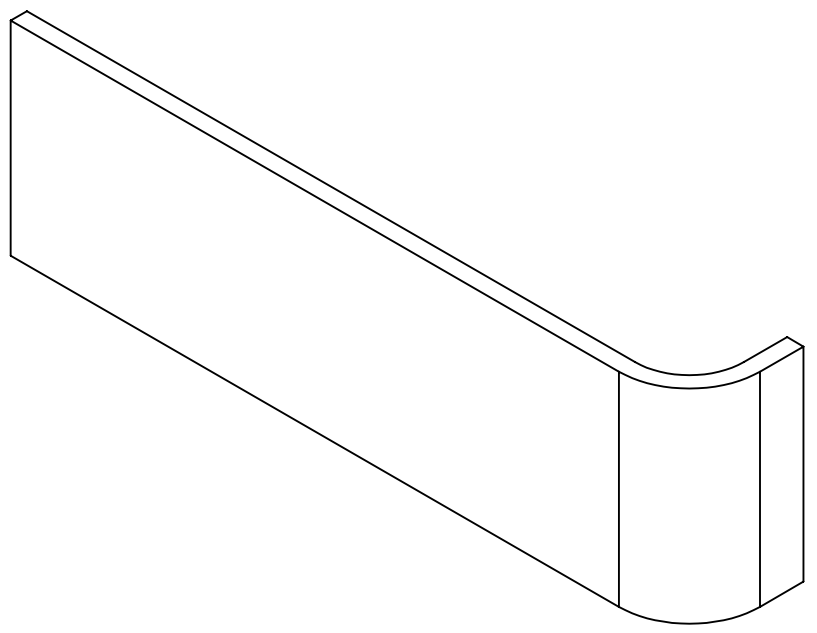
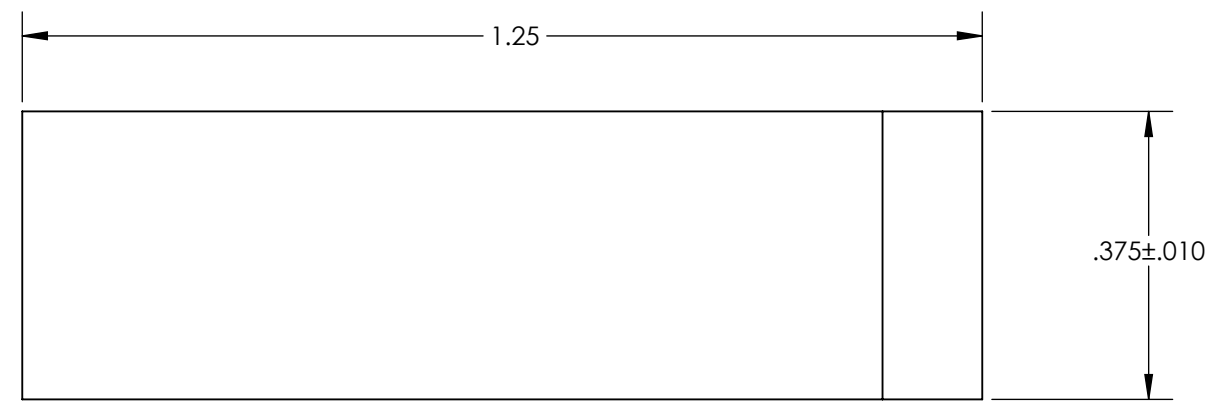
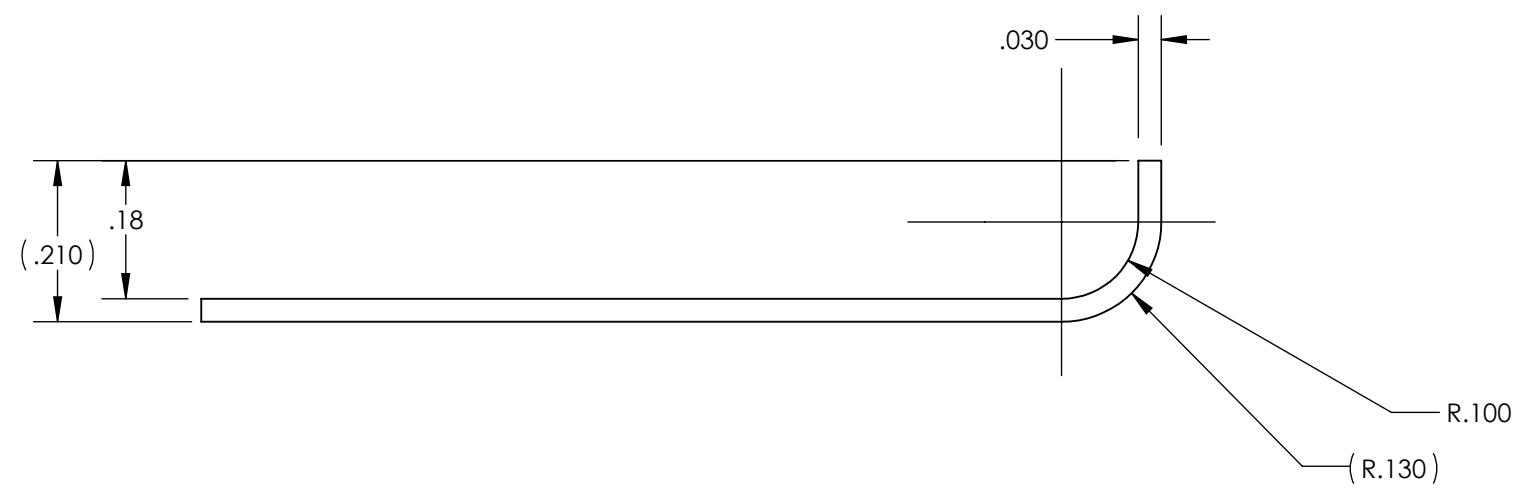


8 7 6 5 4 3 2 1

REVISIONS				
ZONE	REV.	DESCRIPTION	DATE	APPROVED

NOTES:
1. BREAK ALL EDGES -- NO BURRS.

PRELIMINARY 1



PROPRIETARY AND CONFIDENTIAL
THE INFORMATION CONTAINED IN THIS DRAWING IS THE SOLE PROPERTY OF EMPIRE MAGNETICS, INC. ANY REPRODUCTION IN PART OR AS A WHOLE WITHOUT THE WRITTEN PERMISSION OF EMPIRE MAGNETICS, INC. IS PROHIBITED.

UNLESS OTHERWISE SPECIFIED:		NAME	DATE	EMPIRE MAGNETICS, INC. ROHNERT PARK, CA 94928	
DIMENSIONS ARE IN INCHES		DRAWN	DTI	8-30-11	
TOLERANCES:		CHECKED		TITLE:	
FRACTIONAL ±		ENG APPR.		BRACKET TUBE END SUPPORT	
ANGULAR: ±0.5		MFG APPR.		Q.A.	
TWO PLACE DECIMAL ±.010		COMMENTS:		SIZE	
THREE PLACE DECIMAL ±.005				DWG. NO.	
INTERPRET GEOMETRIC TOLERANCING PER:				REV	
MATERIAL				BRACKET TUBE END SUPPORT 1	
6061 ALUMINUM				SCALE: 4:1	
FINISH				SHEET 1 OF 1	
N/A					
NEXT ASSY	USED ON				
APPLICATION	DO NOT SCALE DRAWING				

8 7 6 5 4 3 2 1