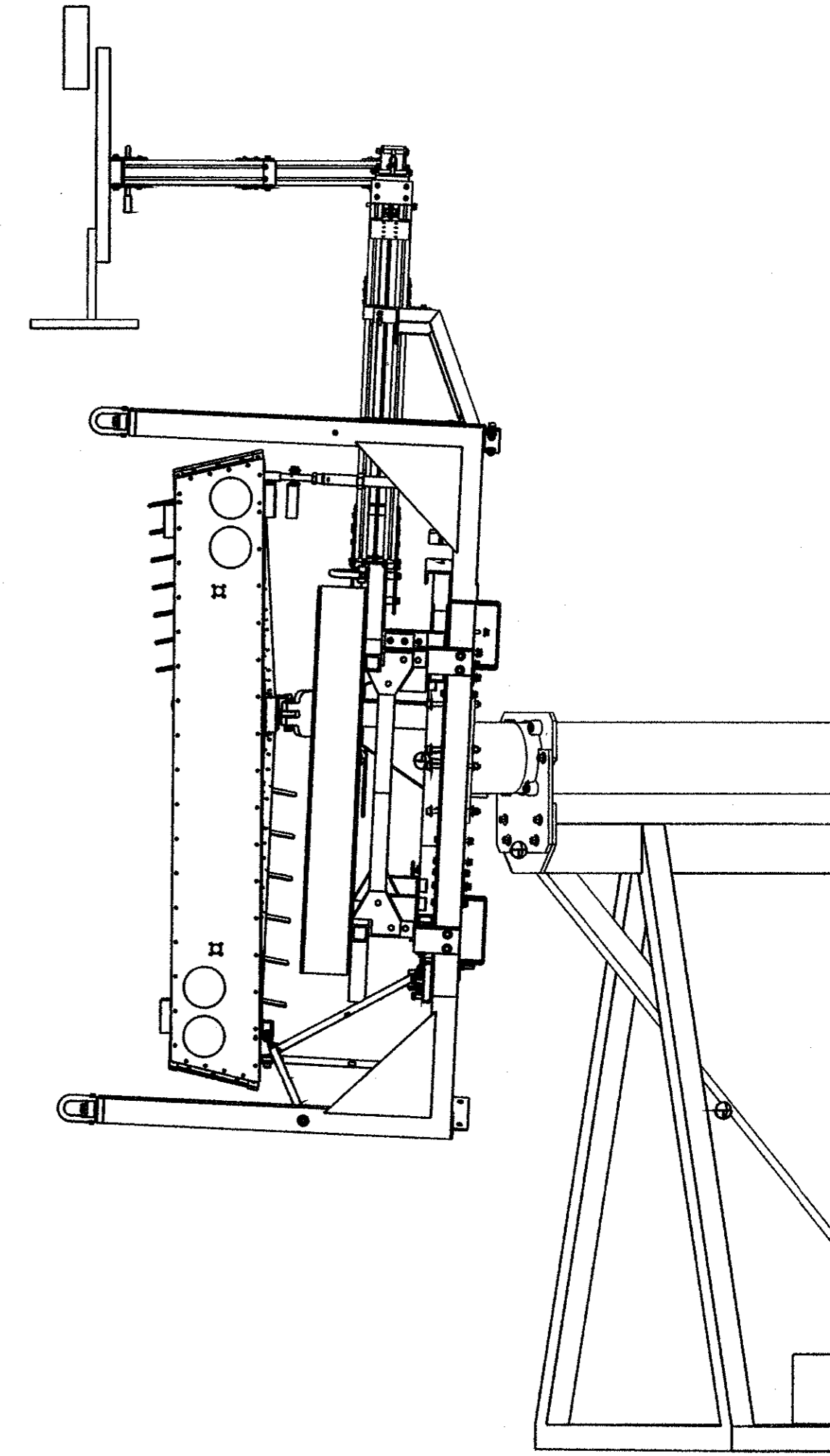
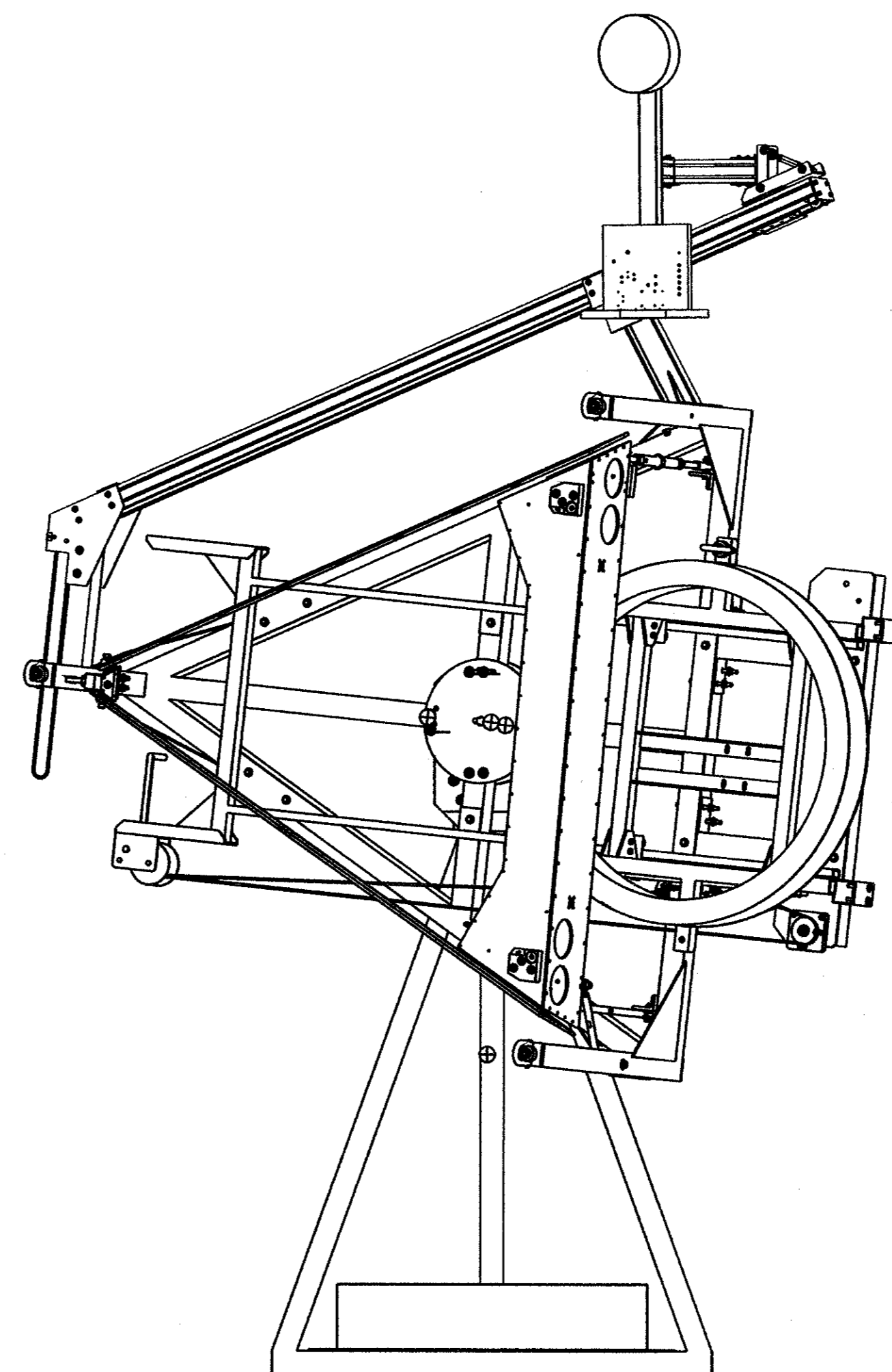
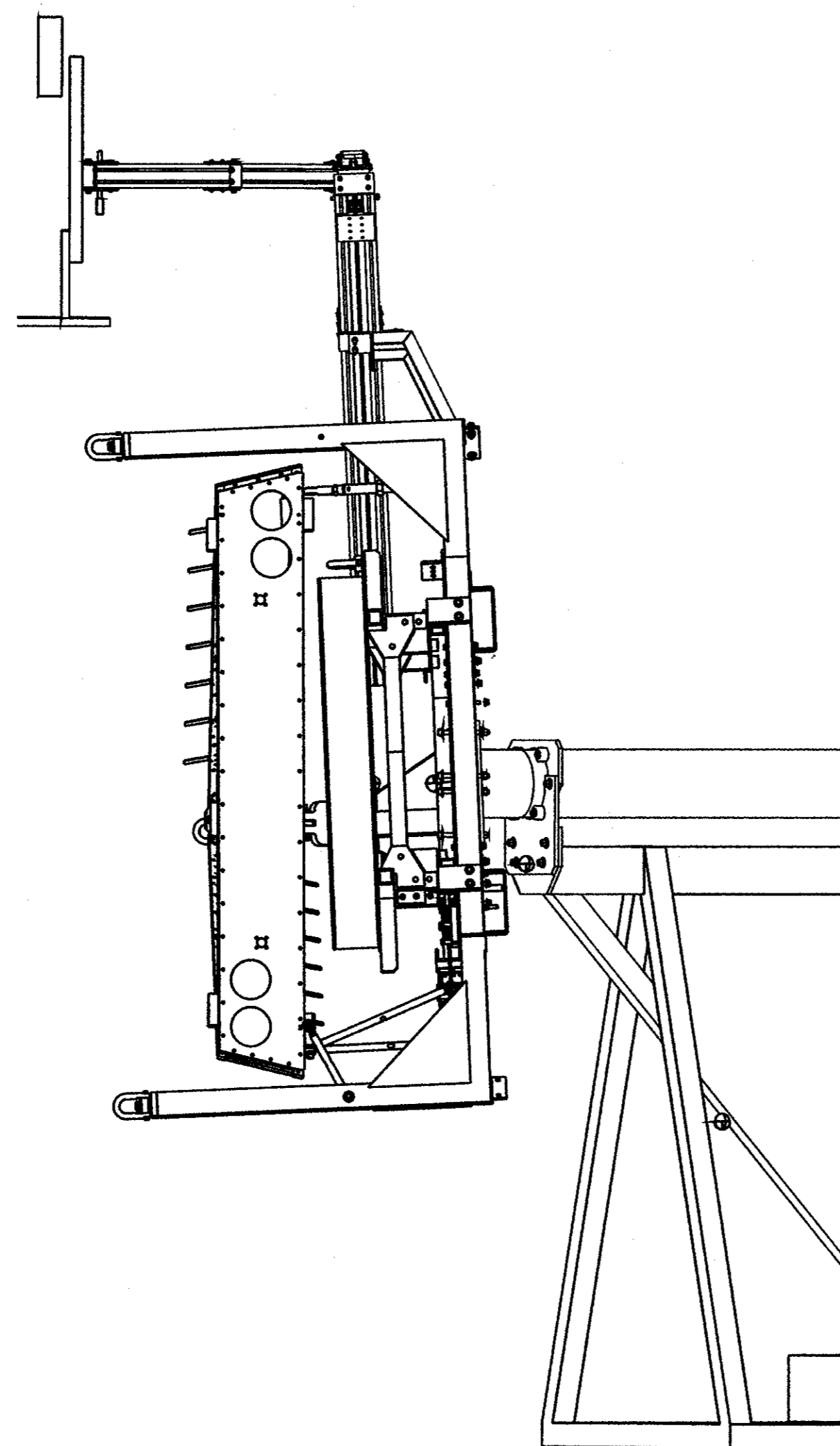
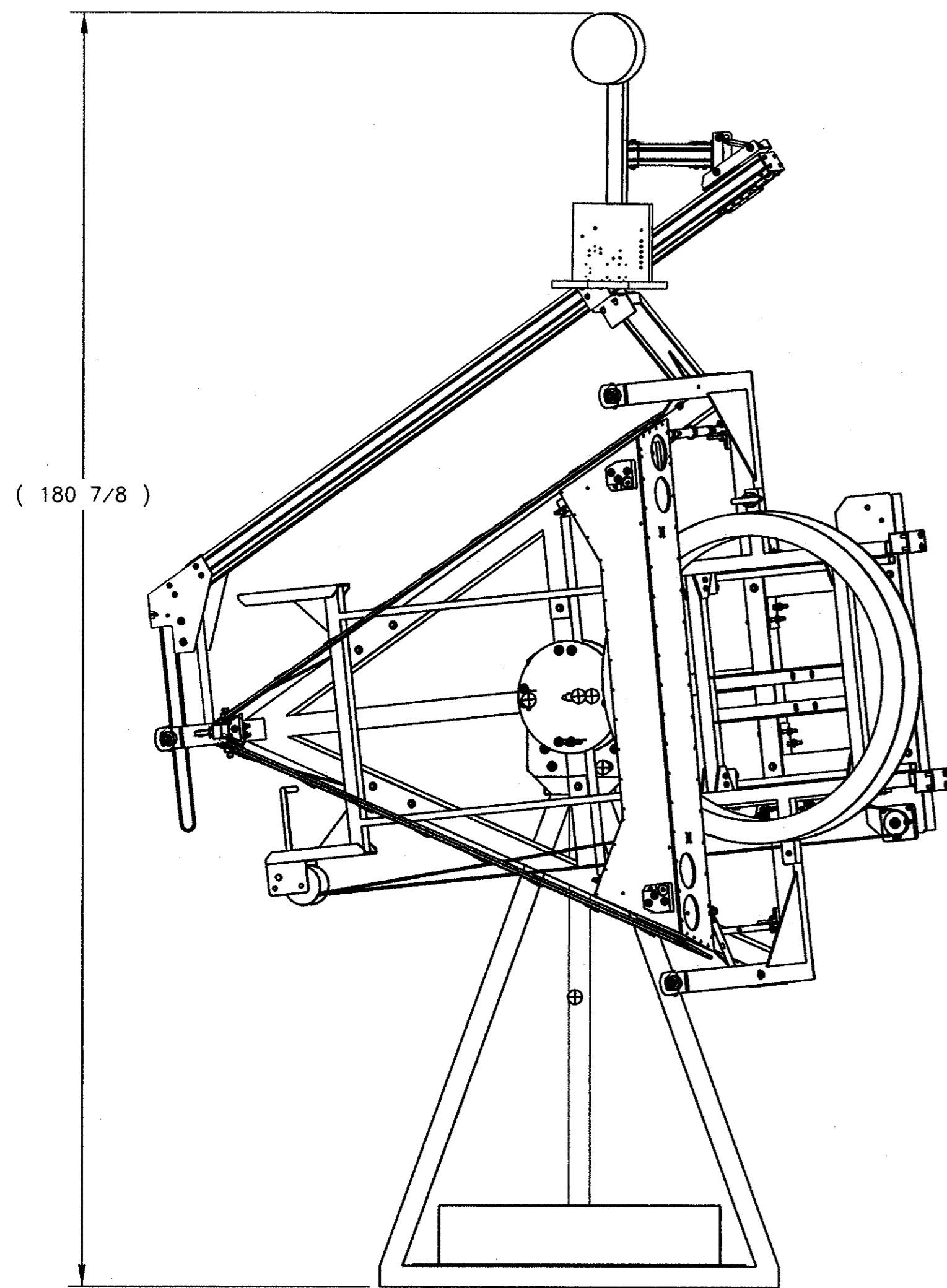


8 7 6 5 4 3 2 1

DURING STRINGING

DURING STRINGING



ROTATION COUNTER CLOCKWISE 6 DEGREES  
NOTE 2

ROTATION CLOCKWISE 6 DEGREES  
NOTE 2

D  
C  
B  
A

D  
C  
B  
A

8 7 6 5 4 3 2 1

|                        |                                    |              |
|------------------------|------------------------------------|--------------|
| DOCUMENT CONTROL STAMP | SIZE DWG. NO.                      | REV.         |
|                        | D B00000-07-04-3200                | -            |
| SCALE .0625:1          | USED ON ASSY NO. 800000-07-00-2300 | SHEET 3 OF 3 |