

# MICROCALIBRATOR DIGITAL FLOWMETER



- RANGES 0-20.00 cc/min; 0-200.0 cc/min; 0-2000 cc/hr AND 0-2000 cc/min
- DIRECT READ OUT IN CC/MIN
- FINE ADJUSTMENT NEEDLE VALVE
- ISOLATION VALVE
- PROVIDES TRACEABILITY TO NATIONAL STANDARDS
- CONNECTS TO LEAK DETECTOR TEST OR CALIBRATOR PORT
- TEMPERATURE COMPENSATED FOR VARIABLE AMBIENT CONDITIONS

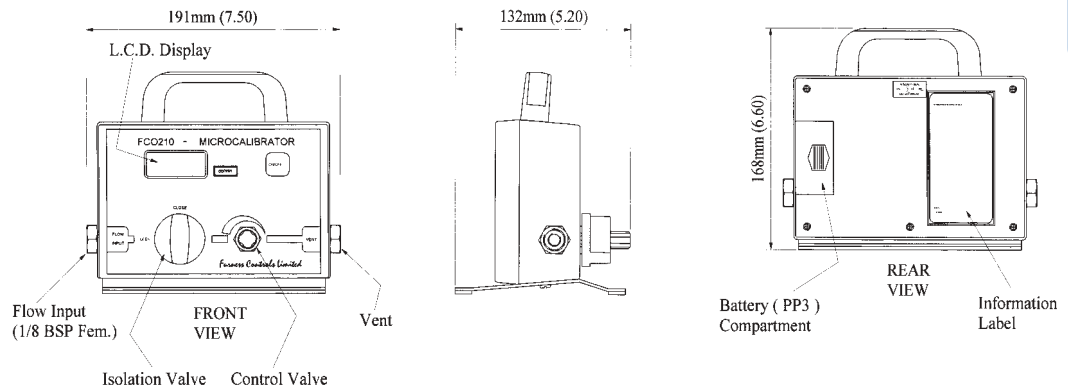
## DESCRIPTION

The FCO210 Digital Microcalibrator is a traceable flow rate meter designed primarily to provide calibration for production line leak detectors. The unit comprises a mini flow meter using a laminar flow element and low range differential pressure transducer to resolve leak rate readings in cc/min or cc/hr. The leak rates are adjustable using the built-in fine needle valve and the set leak is read on an LCD display. Also included is an isolation valve which disconnects the microcalibrator from the leak detector. In use the Microcalibrator is connected to the leak detector test port by means of a T-piece, or to the 'Microcalibrator port' in the case of the Furness Controls' FC290 Leak Detector. The leak detector provides the pressure source so that a leak rate can be adjusted and set. To aid calibration accuracy under various production conditions, a built-in temperature sensor corrects the flow readings for variable ambient conditions.

The FCO210 Microcalibrator is essential for the maintenance of leak detectors to optimum performance and assists in the traceability necessary for ISO 9000. In addition to the above the FCO210 may be used to calibrate gas injectors or other sample flow devices.

# MICROCALIBRATOR DIGITAL FLOWMETER

FCO210



## APPLICATIONS

- Calibration of Production Line Leak Detectors
- A mini Flowmeter for the Calibration of Gas Jets
- Can check sample flow rates in purge systems

## OPTIONS

- /QC Quick Connector for inlet coupling
- /QCPM Quick Connector for mounting on a panel

## MODELS AND RANGES

MODEL	MICROCALIBRATOR RANGE
FCO210-1	0-20.00 cc/min
FCO210-2	0-2000 cc/hr
FCO210-3	0-200.0 cc/min
FCO210-4	0-2000 cc/min

## SPECIFICATION

Accuracy	1% of reading, $\pm 1$ digit above 10% FS, $\pm 2$ digits below
Certification	Traceable to UK national standards
Static working pressure	Vacuum to 14 bar G
Zero Adjustment	Auto zero
Repeatability	0.1%
Operating temperature	0°C-50°C
Temperature effect on range	0.1% per °C
Power requirements	9 volt battery (PP3)
Battery life	250 hours using alkaline batteries
Media compatibility	Dry gases
Viscosity of media	Calibrated for air only
Overload	20 x range
Pneumatic connections	1/8" BSP female input M5 vent port. Option for Quick Connector

Agent's Stamp:

*Furness Controls*

2020 Younts Road, Indian Trail, NC 28079  
Tel: 704-882-3311 Fax: 704-882-3811  
E-mail: sales@furnesscontrols.com  
Web site: <http://www.furnesscontrols.com>

FCO210

Furness Controls